



Parts Manual

RZ462I / 96665910I RZ462I CA / 96665920I
RZ5424 / 96665930I RZ4222F / 96665940I
RZ462I BF / 96667650I RZ4623 / 96667820I
RZ4824F / 96667830I RZ5424 / 96669190I

Please read the operator's manual carefully and make sure you understand the instructions before using the machine.

When you need spare parts or support in service questions, warranty issues, etc., please consult the following professional:

This Parts Manual belongs to the machine with the manufacturing number:	Engine	Transmission

Manufacturing Number

The machine's manufacturing number can be found on the printed plate affixed to the engine compartment.

Stated on the plate, from the top are:

- The machine's type designation (I.D.).
- The manufacturer's type number (Model).
- The machine's serial number (Serial no.)

Please have the type designation and serial number available when ordering spare parts.

The engine's manufacturing number is stamped on one of the valve covers.

The plate states:

- The engine's model.
- The engine's type.
- Code

Please have these available when ordering spare parts.

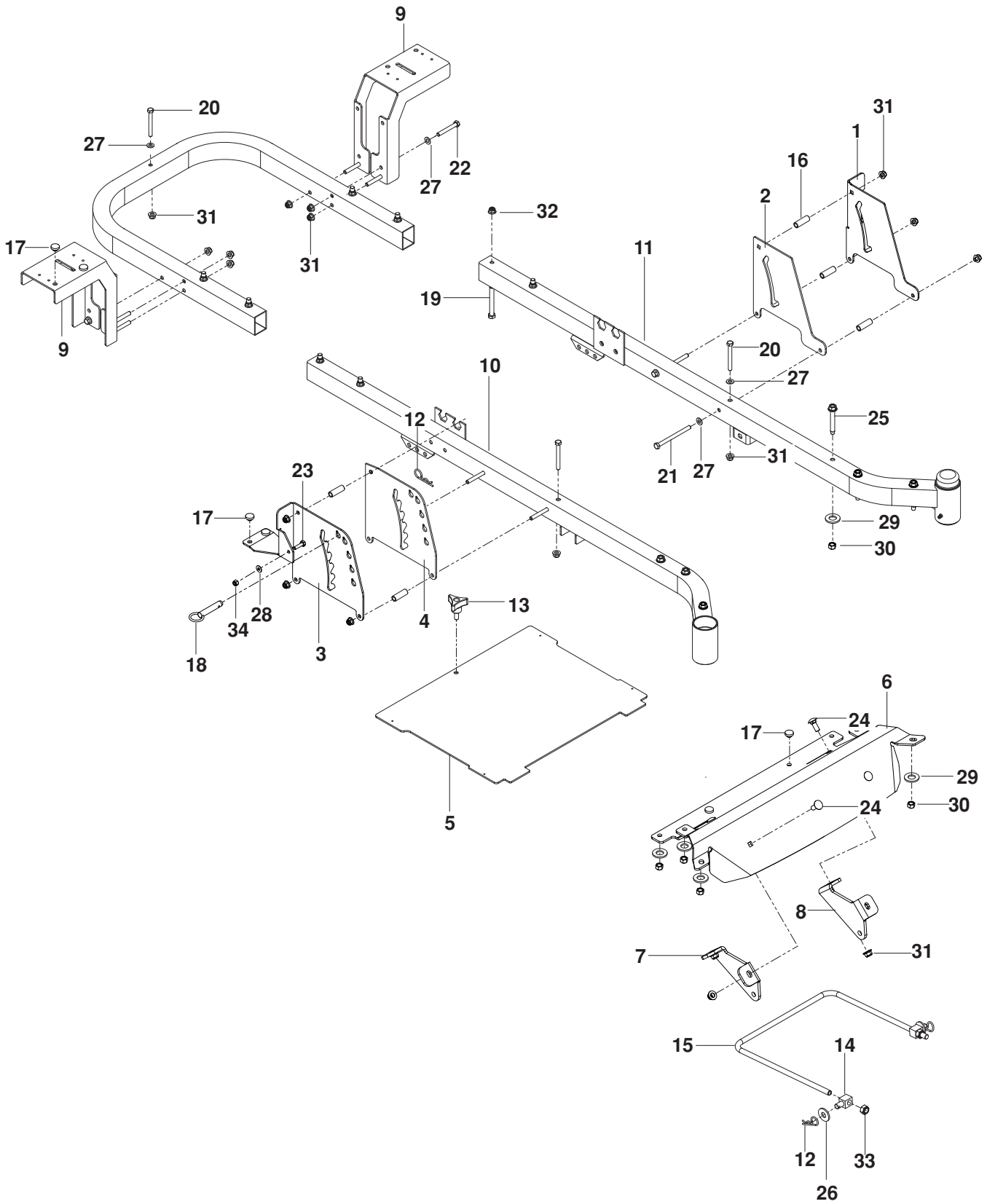
The wheel motors and hydrostatic pumps have a barcode decal affixed at the rear.

CONTENTS

FRAME.....	4
ENGINE PLATE	
966659101, 966659201, 966676501	6
966659301	8
966659401	10
966678301, 966691901	12
966678201	14
STEERING	16
IGNITION	
966659101, 966676501	18
966659201	20
966678201, 966678301, 966659401	
966659301, 966691901	22
BRAKE / LIFT	24
HYDRAULIC PUMP- MOTOR.....	26
WHEELS AND TIRES.....	28
MOWER DECK / CUTTING DECK	
42" DECK	30
46" DECK	32
48" DECK	34
54" DECK	36
SEAT	38
DECALS.....	40

NOTE: ALL FASTENERS ARE GRADE 5 UNLESS OTHERWISE SPECIFIED.

FRAME

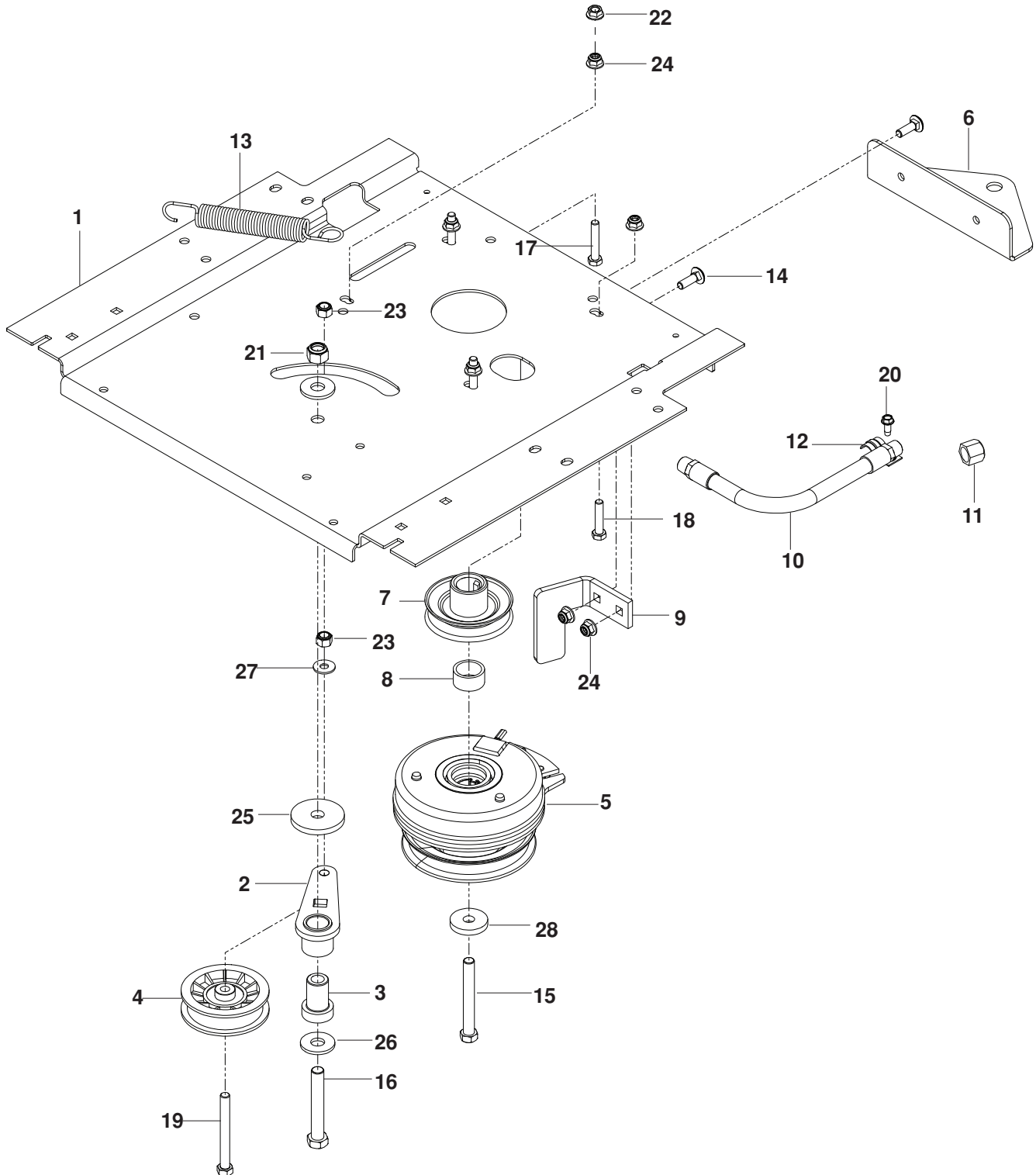


FRAME

ITEM	PART NO.	QTY.	DESCRIPTION	ITEM	PART NO.	QTY.	DESCRIPTION
1..	510 261802....	1....	PLATE, OUTER BRAKE BLK	18..	539 102526....	1....	LIFT PIN
2..	510 206703....	1....	PLATE, BRAKE LATCH BLK	19..	539 101341....	8....	HCS 3/8-16 x 3
3..	510 245604....	1....	PLATE, LIFT OUTER BLK	20..	539 101721....	3....	HCS 5/16-18 x 2 3/4
4..	510 240502....	1....	PLATE, LIFT INNER BLK	21..	539 102335....	4....	HCS 5/16-18 x 4
5..	522 842902....	1....	FOOT PLATE w/DECALS	22..	539 976938....	6....	HCS 5/16-18 x 2 1/4
6..	522 719504....	1....	FOOT REST ORG	23..	539 977761....	2....	HCS 1/4-20 x 1
7..	522 443302....	1....	MOUNT, STRUT RT BLK	24..	539 990645....	4....	RHSNB 3/8-16 x 1
8..	522 443304....	1....	MOUNT, STRUT LT BLK	25..	539 111976....	6....	BOLT 3/8-16 x 2 5/8 THD FRM
9..	510 225902....	2....	SUPPORT, FENDER BLK	26..	539 109554....	2....	WASHER 1/2 FLT
10..	510 177503....	1....	FRAME, FRONT RT ORG	27..	539 990188..	13....	WASHER 5/16 SAE FLT
11..	510 177403....	1....	FRAME, FRONT LT ORG	28..	539 990055....	2....	WASHER 1/4 FLT
12..	539 976989....	3....	HAIRPIN	29..	539 990517....	6....	WASHER 3/8 STD FLT
13..	539 104411....	1....	KNOB w/ STUD	30..	539 200282....	6....	NUT 3/8-16 HEX JAM NYLOC
14..	539 114789....	2....	SWIVEL	31..	539 112899..	15....	NUT 5/16-18 HEX FLG NYLOC
15..	521 938101....	1....	LINK, FRONT SUSPENSION	32..	521 996501....	8....	NUT 3/8-16 HEX FLG NYLOC
16..	515 988101....	6....	SPACER 1/2 OD x 1 1/2	33..	539 119124....	2....	NUT 7/16-14 HEX NYLOC
17..	539 102587....	6....	GROMMET, BUMPER	34..	539 976978....	2....	NUT 1/4-20 HEX NYLOC

ENGINE PLATE

966659101, 966659201, 966676501

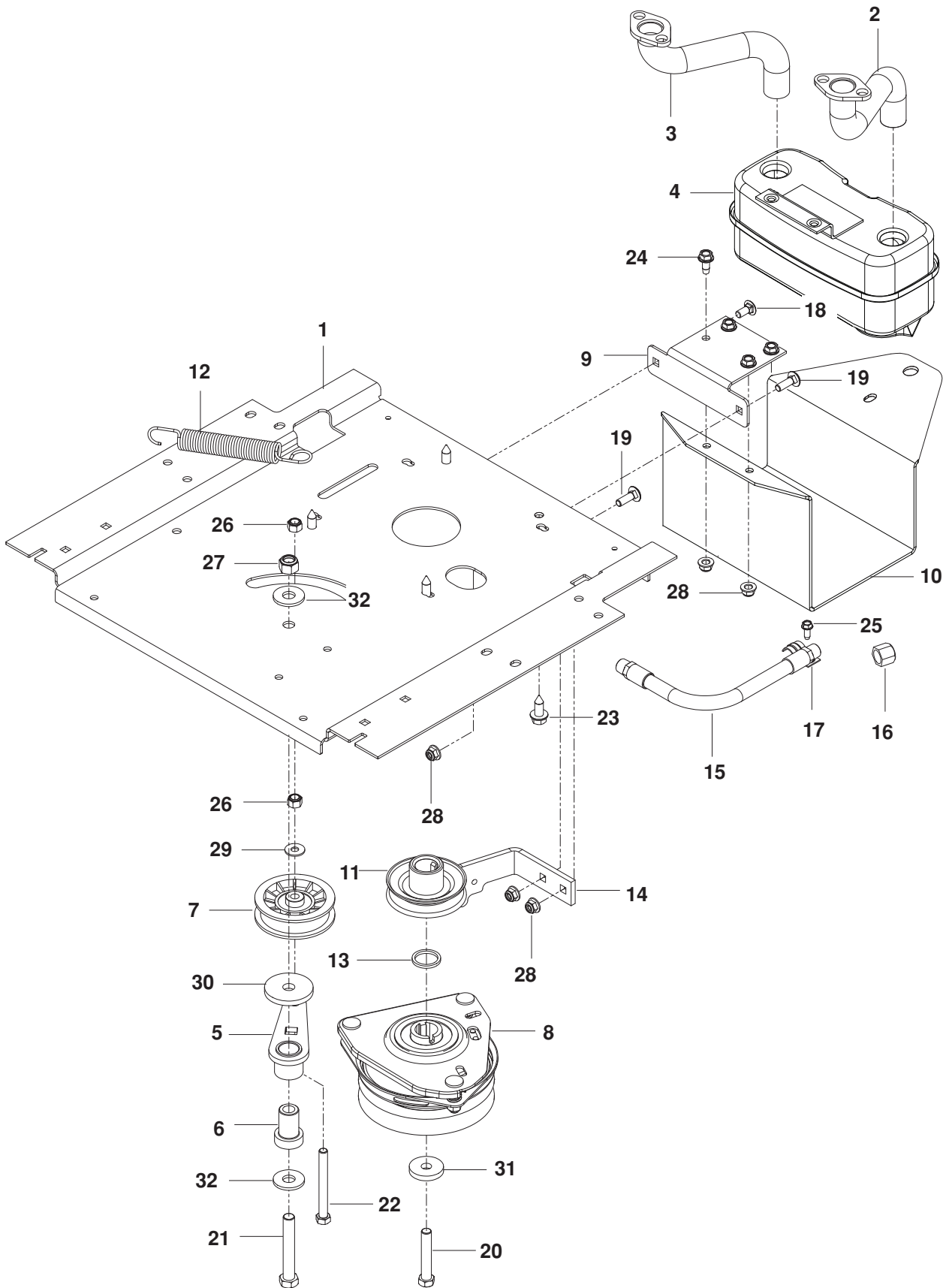


ENGINE PLATE

ITEM	PART NO.	QTY.	DESCRIPTION	ITEM	PART NO.	QTY.	DESCRIPTION
1..	575 327002....	1....	PLATE, ENGINE BLK	15..	539 976944....	1....	HCS $7/16$ -20 x $3\frac{1}{2}$
2..	539 112092....	1....	ARM, IDLER	16..	539 103433....	1....	HCS $1/2$ -13 x $3\frac{1}{4}$
3..	539 101231....	1....	SPINDLE, IDLER	17..	539 990669....	1....	HCS $5/16$ -18 x $1\frac{3}{4}$
4..	539 110311....	1....	PULLEY, IDLER	18..	539 976935....	3....	HCS $5/16$ -18 x $1\frac{1}{2}$
5..	505 287301....	1....	CLUTCH, 105 FT/LBS	19..	539 109389....	1....	HCS $3/8$ -16 x $3\frac{1}{2}$
6..	516 011802....	1....	HITCH, BLK	20..	539 990362....	1....	SCREW $1/4$ -20 x $5/8$ THD FRM
7..	539 114530....	1....	PULLEY, ENGINE	21..	539 101331....	1....	NUT $1/2$ -13 HEX NYLOC
8..	539 112252....	1....	SPACER	22..	539 990585....	1....	NUT $5/16$ -18 HEX WHIZLK
9..	510 246002....	1....	STOP, CLUTCH BLK	23..	539 976979....	2....	NUT $3/8$ -16 HEX NYLOC
10..	539 101362....	1....	HOSE, DRAIN	24..	539 112899....	6....	NUT $5/16$ -18 HEX FLG NYLOC
11..	539 101364....	1....	PLUG, OIL	25..	539 112670....	1....	WASHER, HEAVY
12..	539 101363....	1....	CLAMP	26..	539 109554....	2....	WASHER $1/2$ FLT
13..	532 196105....	1....	SPRING, DECK DRIVE	27..	539 990692....	2....	WASHER $5/16$ STD FLT
14..	539 990208....	2....	RHSNB $5/16$ -18 x 1	28..	539 110064....	1....	WASHER, CLUTCH

ENGINE PLATE

966659301

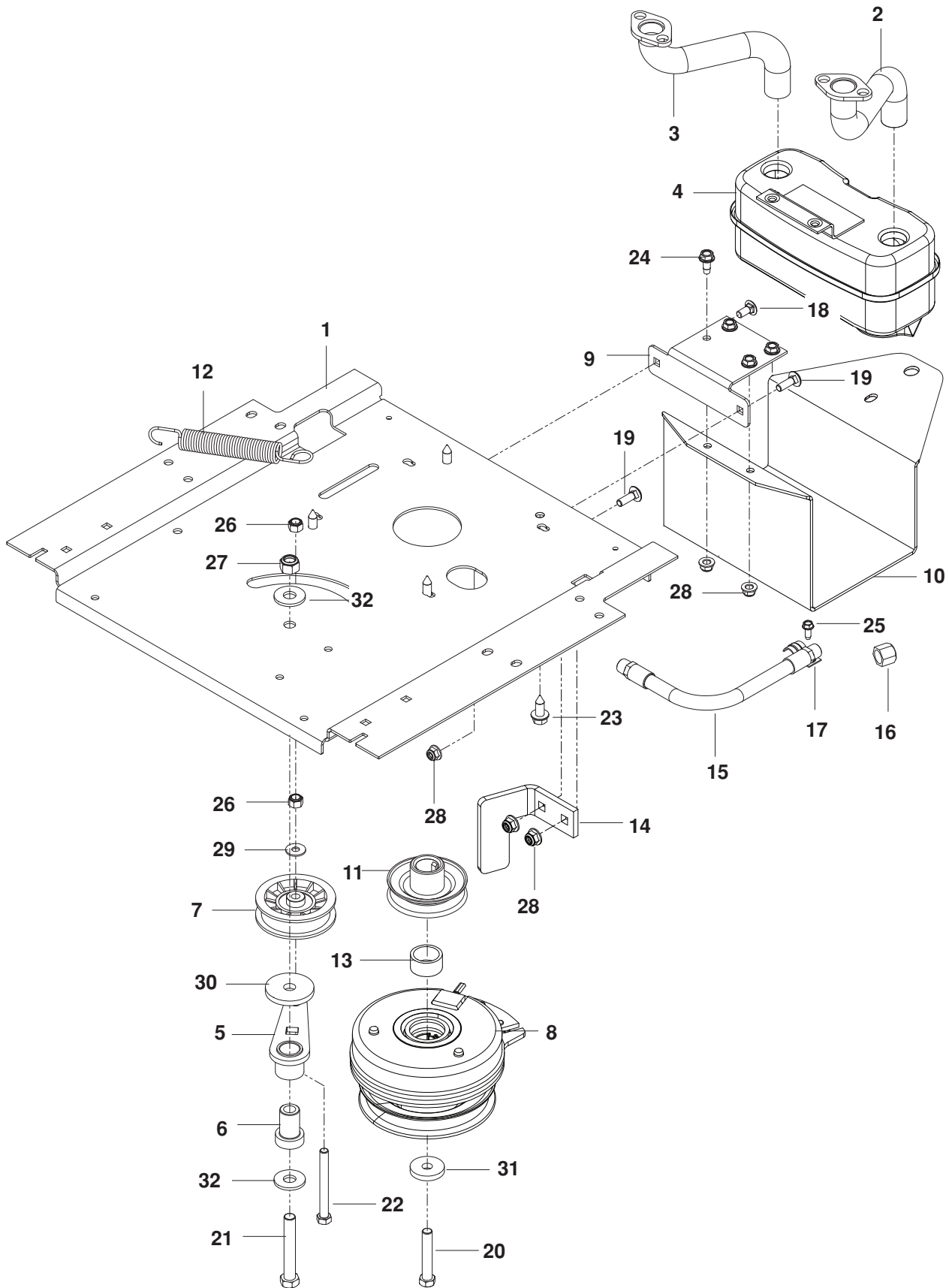


ENGINE PLATE

ITEM	PART NO.	QTY.	DESCRIPTION	ITEM	PART NO.	QTY.	DESCRIPTION
1..	575 327002....	1....	PLATE, ENGINE BLK	18..	539 990316....	1....	RHSNB $\frac{5}{16}$ -18 x $\frac{3}{4}$
2..	532 146700....	1....	TUBE, EXHAUST LT	19..	539 990208....	2....	RHSNB $\frac{5}{16}$ -18 x 1
3..	532 146699....	1....	TUBE, EXHAUST RT	20..	576 968001....	1....	HCS $\frac{7}{16}$ -20 x 2 $\frac{1}{2}$ GR 8
4..	539 131604....	1....	MUFFLER ASSY TWIN	21..	539 103433....	1....	HCS $\frac{1}{2}$ -13 x 3 $\frac{1}{4}$
5..	539 112092....	1....	ARM, IDLER	22..	539 109389....	1....	HCS $\frac{3}{8}$ -16 x 3 $\frac{1}{2}$
6..	539 101231....	1....	SPINDLE, IDLER	23..	532 120616....	4....	HHFS $\frac{3}{8}$ -16 x 1 THD FRM
7..	539 110311....	1....	PULLEY, IDLER	24..	539 107475....	4....	BOLT $\frac{5}{16}$ -18 x $\frac{3}{4}$ THD FRM
8..	532 400008....	1....	CLUTCH, 90 FT/LBS	25..	539 990362....	1....	SCREW $\frac{1}{4}$ -20 x $\frac{5}{8}$ THD FRM
9..	510 260402....	1....	BRACKET, MUFFLER BLK	26..	539 976979....	2....	NUT $\frac{3}{8}$ -16 HEX NYLOC
10..	510 260502....	1....	GUARD, MUFFLER BLK	27..	539 101331....	1....	NUT $\frac{1}{2}$ -13 HEX NYLOC
11..	539 114530....	1....	PULLEY, ENGINE	28..	539 112899....	5....	NUT $\frac{5}{16}$ -18 HEX FLG NYLOC
12..	532 196105....	1....	SPRING, DECK DRIVE	29..	539 990692....	2....	WASHER $\frac{5}{16}$ STD FLT
13..	577 094601....	1....	SPACER	30..	539 112670....	1....	WASHER, HEAVY
14..	522 442506....	1....	STOP, CLUTCH BLK	31..	539 110064....	1....	WASHER, CLUTCH
15..	539 101362....	1....	HOSE, DRAIN	32..	539 109554....	2....	WASHER $\frac{1}{2}$ FLT
16..	539 101364....	1....	PLUG, OIL	NOT SHOWN			
17..	539 101363....	1....	CLAMP		532 198316 ...	1....	ADAPTER, HARNESS

ENGINE PLATE

966659401

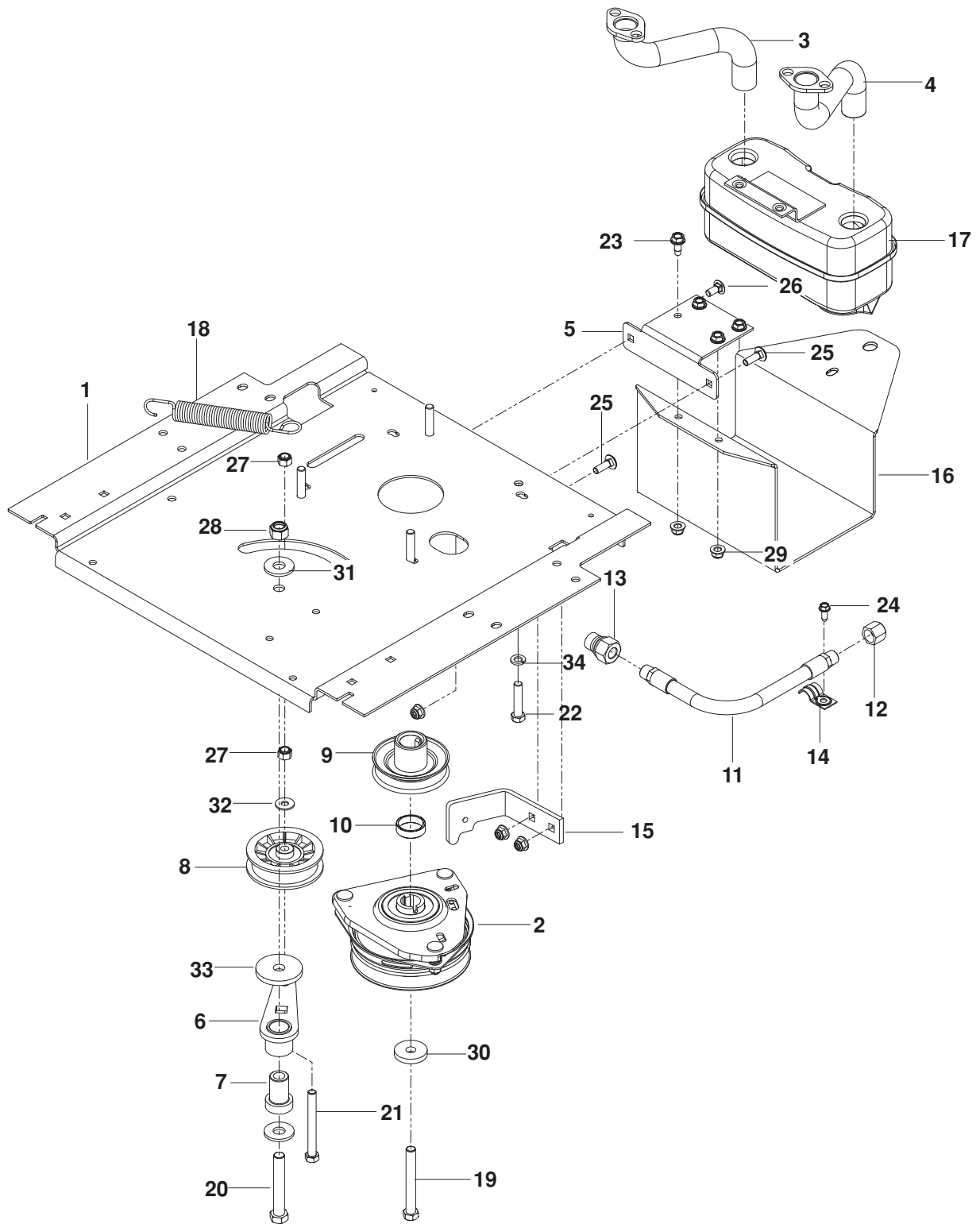


ENGINE PLATE

ITEM	PART NO.	QTY.	DESCRIPTION	ITEM	PART NO.	QTY.	DESCRIPTION
1..	575 327002....	1....	PLATE, ENGINE, BLK	17..	539 101363....	1....	CLAMP
2..	532 160589....	1....	TUBE, EXHAUST LT	18..	539 990316....	1....	RHSNB $\frac{5}{16}$ -18 x $\frac{3}{4}$
3..	532 159955....	1....	TUBE, EXHAUST RT	19..	539 990208....	2....	RHSNB $\frac{5}{16}$ -18 x 1
4..	539 131604....	1....	MUFFLER ASSY TWIN	20..	576 968001....	1....	HCS $\frac{7}{16}$ -20 x 2 $\frac{1}{2}$ GR 8
5..	539 112092....	1....	ARM, IDLER	21..	539 103433....	1....	HCS $\frac{1}{2}$ -13 x 3 $\frac{1}{4}$
6..	539 101231....	1....	SPINDLE, IDLER	22..	539 109389....	1....	HCS $\frac{3}{8}$ -16 x 3 $\frac{1}{2}$
7..	539 110311....	1....	PULLEY, IDLER	23..	532 120616....	4....	HHFS $\frac{3}{8}$ -16 x 1 THD FRM
8..	505 287301....	1....	CLUTCH, 105 FT/LBS	24..	539 107475....	4....	BOLT $\frac{5}{16}$ -18 x $\frac{3}{4}$ THD FRM
9..	510 260402....	1....	BRACKET, MUFFLER BLK	25..	539 990362....	1....	SCREW $\frac{1}{4}$ -20 x $\frac{5}{8}$ THD FRM
10..	510 260502....	1....	GUARD, MUFFLER, BLK	26..	539 976979....	2....	NUT $\frac{3}{8}$ -16 HEX NYLOC
11..	539 114530....	1....	PULLEY, ENGINE	27..	539 101331....	1....	NUT $\frac{1}{2}$ -13 HEX NYLOC
12..	532 196105....	1....	SPRING, DECK DRIVE	28..	539 112899....	5....	NUT $\frac{5}{16}$ -18 HEX FLG NYLOC
13..	539 112252....	1....	SPACER	29..	539 990692....	2....	WASHER $\frac{5}{16}$ STD FLT
14..	510 246002....	1....	STOP, CLUTCH BLK	30..	539 112670....	1....	WASHER, HEAVY
15..	539 101362....	1....	HOSE, DRAIN	31..	539 110064....	1....	WASHER, CLUTCH
16..	539 101364....	1....	PLUG, OIL	32..	539 109554....	2....	WASHER $\frac{1}{2}$ FLT

ENGINE PLATE

966678301, 966691901

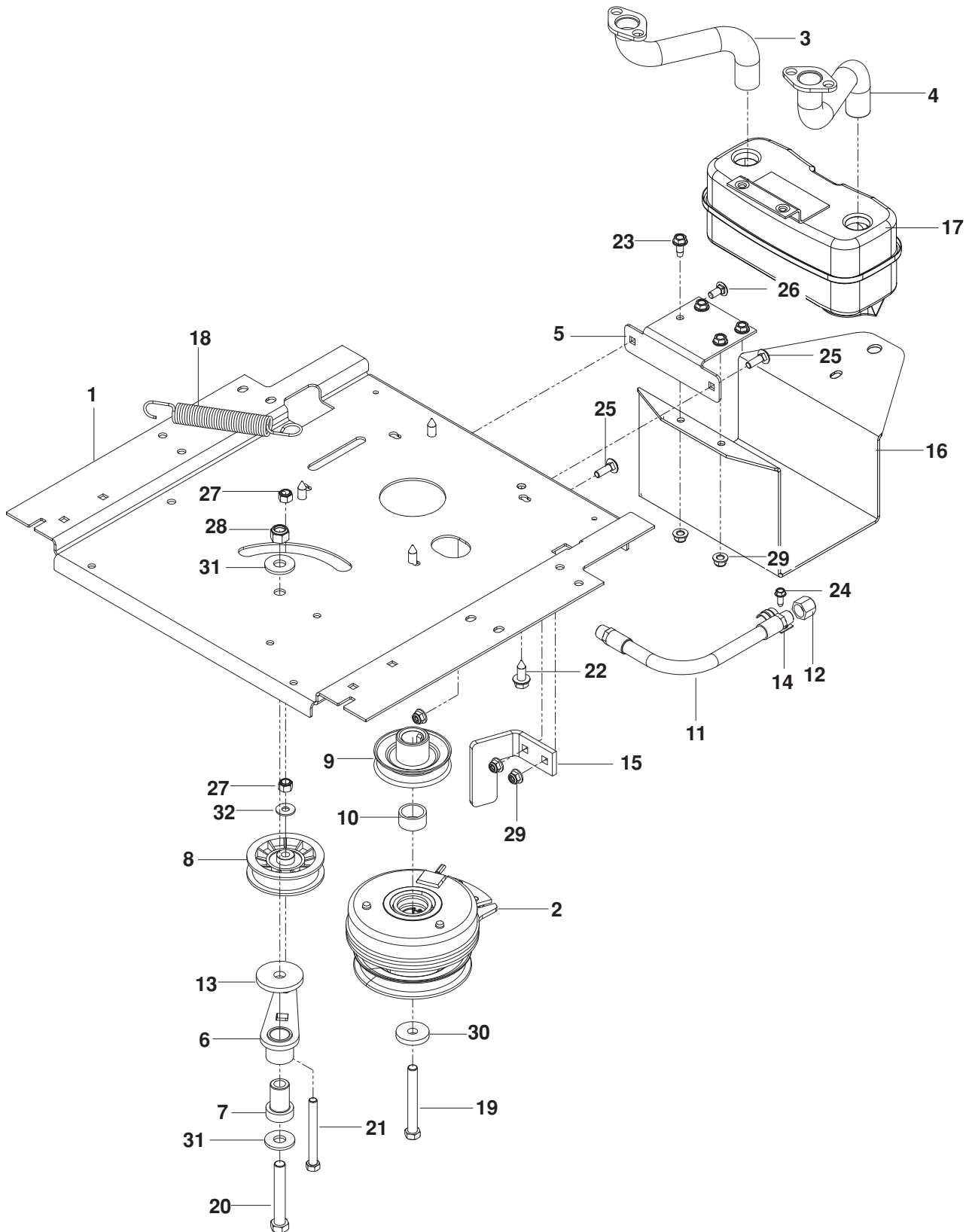


ENGINE PLATE

ITEM	PART NO.	QTY.	DESCRIPTION	ITEM	PART NO.	QTY.	DESCRIPTION
1..	575 327002....	1....	PLATE, ENGINE BLK	19..	576 968001....	1....	HCS 7/16-20 x 2 1/2 GR 8
2..	532 179334....	1....	CLUTCH	20..	539 103433....	1....	HCS 1/2-13 x 3 1/4
3..	532 424765....	1....	TUBE, EXHAUST RT	21..	539 109389....	1....	HCS 3/8-16 x 3 1/2
4..	532 424766....	1....	TUBE, EXHAUST LT	22..	539 976949....	4....	HCS 3/8-16 x 1 3/4
5..	510 260402....	1....	BRACKET, MUFFLER BLK	23..	539 107475....	4....	BOLT 5/16-18 x 3/4 THD FRM
6..	539 112092....	1....	ARM, IDLER	24..	539 990362....	1....	SCREW 1/4-20 x 5/8 THD FRM
7..	539 101231....	1....	SPINDLE, IDLER	25..	539 990208....	2....	RHSNB 5/16-18 x 1
8..	539 110311....	1....	PULLEY, IDLER	26..	539 990316....	1....	RHSNB 5/16-18 x 3/4
9..	539 114530....	1....	PULLEY, ENGINE	27..	539 976979....	2....	NUT 3/8-16 HEX NYLOC
10..	577 094601....	1....	SPACER	28..	539 101331....	1....	NUT 1/2-13 HEX NYLOC
11..	539 101362....	1....	HOSE, DRAIN	29..	539 112899....	5....	NUT 5/16-18 HEX FLG NYLOC
12..	539 101364....	1....	PLUG, OIL	30..	539 110064....	1....	WASHER, CLUTCH
13..	522 599001....	1....	ADAPTER, OIL DRAIN	31..	539 109554....	2....	WASHER 1/2 FLT
14..	539 101363....	1....	CLAMP	32..	539 990692....	2....	WASHER 5/16 STD FLT
15..	522 442506....	1....	STOP, CLUTCH BLK	33..	539 112670....	1....	WASHER, HEAVY
16..	510 260502....	1....	GUARD, MUFFLER BLK	34..	539 990118....	4....	WASHER 3/8 SPLT LCK
17..	539 131604....	1....	MUFFLER ASSY TWIN		NOT SHOWN		
18..	532 196105....	1....	SPRING, DECK DRIVE		532 198316 ...	1....	ADAPTER, HARNESS

ENGINE PLATE

966678201



ENGINE PLATE

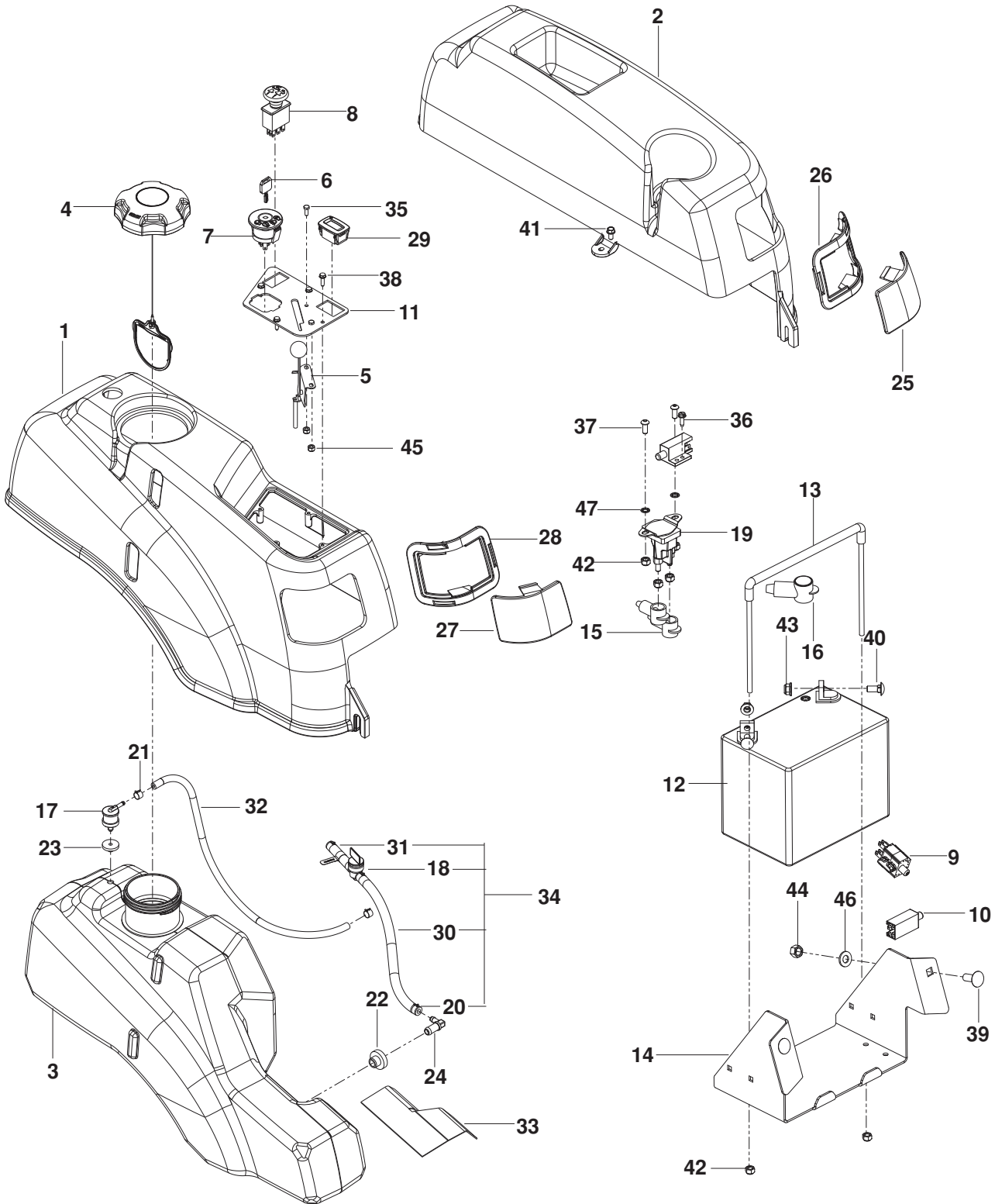
ITEM	PART NO.	QTY.	DESCRIPTION	ITEM	PART NO.	QTY.	DESCRIPTION
1..	575 327002....	1....	PLATE, ENGINE BLK	19..	576 968001....	1....	HCS 7/16-20 x 2 1/2 GR 8
2..	505 287301....	1....	CLUTCH, 105 FT/LBS	20..	539 103433....	1....	HCS 1/2-13 x 3 1/4
3..	532 146699....	1....	TUBE, EXHAUST RT	21..	539 109389....	1....	HCS 3/8-16 x 3 1/2
4..	532 146700....	1....	TUBE, EXHAUST LT	22..	532 120616....	4....	HHFS 3/8-16 x 1 THD FRM
5..	510 260402....	1....	BRACKET, MUFFLER BLK	23..	539 107475....	4....	BOLT 5/16-18 x 3/4 THD FRM
6..	539 112092....	1....	ARM, IDLER	24..	539 990362....	1....	SCREW 1/4-20 x 5/8 THD FRM
7..	539 101231....	1....	SPINDLE, IDLER	25..	539 990208....	2....	RHSNB 5/16-18 x 1
8..	539 110311....	1....	PULLEY, IDLER	26..	539 990316....	1....	RHSNB 5/16-18 x 3/4
9..	539 114530....	1....	PULLEY, ENGINE	27..	539 976979....	2....	NUT 3/8-16 HEX NYLOC
10..	539 115326....	1....	SPACER	28..	539 101331....	1....	NUT 1/2-13 HEX NYLOC
11..	539 101362....	1....	HOSE, DRAIN	29..	539 112899....	5....	NUT 5/16-18 HEX FLG NYLOC
12..	539 101364....	1....	PLUG, OIL	30..	539 110064....	1....	WASHER, CLUTCH
13..	539 112670....	1....	WASHER, HEAVY	31..	539 109554....	2....	WASHER 1/2 FLT
14..	539 101363....	1....	CLAMP	32..	539 990692....	2....	WASHER 5/16 STD FLT
15..	510 246002....	1....	STOP, CLUTCH BLK				NOT SHOWN
16..	510 260502....	1....	GUARD, MUFFLER BLK	532 198316 ...	1....	ADAPTER, HARNESS	
17..	539 131604....	1....	MUFFLER ASSY TWIN				
18..	532 196105....	1....	SPRING, DECK DRIVE				

STEERING

ITEM	PART NO.	QTY.	DESCRIPTION	ITEM	PART NO.	QTY.	DESCRIPTION
1..	522 524303....	2....	LEVER, w/ GRIP	12..	510 422601....	6....	RHSNB $\frac{5}{16}$ -18 x 4
2..	539 131517....	2....	BLOCK, UPPER	13..	539 990209....	2....	HCS $\frac{5}{16}$ -18 x 1
3..	539 131519....	2....	BLOCK, LOWER	14..	539 976935....	4....	HCS $\frac{5}{16}$ -18 x 1 $\frac{1}{2}$
4..	539 131518....	4....	BEARING, FLANGE	15..	539 108395....	1....	HCS $\frac{5}{16}$ -18 x 2
5..	522 452901....	2....	PIVOT SECTION, DRIVE	16..	539 990669....	4....	HCS $\frac{5}{16}$ -18 x 1 $\frac{3}{4}$
6..	539 131521....	2....	MOUNT, DRIVE CONTROL	17..	539 990585....	4....	NUT $\frac{5}{16}$ -18 HEX WHIZLK
7..	539 122635....	2....	GRIP, FOAM	18..	539 112899....	2....	NUT $\frac{5}{16}$ -18 HEX FLG NYLOC
8..	521 982601....	1....	KNOB	19..	539 990717..	16....	NUT $\frac{5}{16}$ -18 HEX NYLOC
9..	539 102720....	2....	DAMPENER	20..	539 133007....	2....	WASHER, WAVE
10..	539 102845....	2....	SPRING	21..	539 990188..	15....	WASHER $\frac{5}{16}$ SAE FLT
11..	539 103543....	1....	SPACER				

IGNITION

966659101, 966676501

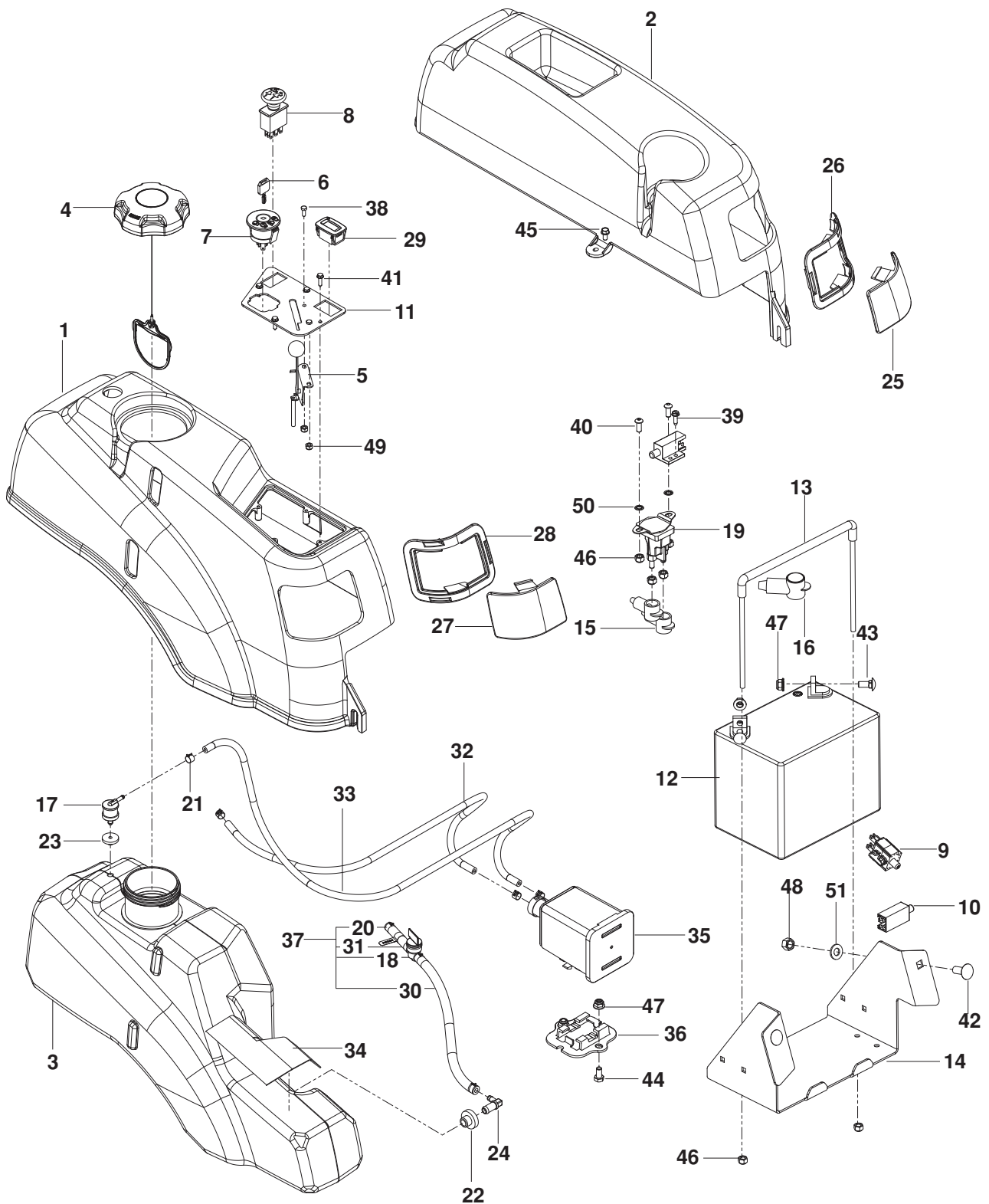


IGNITION

ITEM	PART NO.	QTY.	DESCRIPTION	ITEM	PART NO.	QTY.	DESCRIPTION
1..	576 370401....	1....	FENDER, RT	27..	539 110057....	1....	LENS, RT
2..	539 130374....	1....	FENDER, LT	28..	539 110451....	1....	RIM, RT
3..	576 369401....	1....	TANK, FUEL	29..	576 179401....	1....	HOUR METER
4..	575 018101....	1....	CAP, FUEL w/ TETHER	30..	539 932956....	1....	FUEL LINE 10"
5..	522 730101....	1....	CABLE, THROTTLE	31..	505 215101....	1....	FUEL LINE 2½"
6..	539 107544....	1....	KEY, IGNITION	32..	574 521302....	1....	FUEL LINE 20"
7..	539 107541....	1....	SWITCH, IGNITION	33..	522 559101....	1....	SHIELD, HEAT
8..	539 101768....	1....	SWITCH, CLUTCH	34..	576 660701....	1....	FUEL LINE ASSY
9..	539 113792....	1....	SWITCH, BRAKE	35..	539 990411....	2....	SCREW 10-24 x ½ HEX HD
10..	539 101080....	2....	SWITCH, NC	36..	539 991034....	2....	SCREW 10-24 x 5/8 WSHR HD
11..	539 110305....	1....	PANEL, CONTROL	37..	539 111229....	2....	SCREW ¼-20 x 5/8 BTN SKT
12..	539 102436....	1....	BATTERY	38..	539 110673....	2....	SCREW 10-24 x ¾ WSHR HD
13..	539 131209....	1....	TIE DOWN, BATTERY	39..	539 990645....	2....	RHSNB 3/8-16 x 1
14..	510 231302....	1....	BOX, BATTERY BLK	40..	539 990316....	2....	RHSNB 5/16-18 x ¾
15..	539 116400....	3....	TERMINAL COVER	41..	539 108461....	2....	BOLT ¼-20 x ½ HWST
16..	539 102759....	1....	INSULATOR	42..	539 976978....	2....	NUT ¼-20 HEX NYLOC
17..	576 618101....	1....	VALVE, FUEL CHECK	43..	539 112899....	2....	NUT 5/16-18 HEX FLG NYLOC
18..	539 916325....	1....	VALVE, FUEL	44..	539 976979....	2....	NUT 3/8-16 HEX NYLOC
19..	539 101714....	1....	SOLENOID	45..	539 976977....	2....	NUT 10-24 HEX NYLOC
20..	539 912222....	4....	CLAMP, HOSE	46..	539 990122....	4....	WASHER 3/8 SAE FLT
21..	575 436501....	2....	CLAMP, HOSE	47..	539 990053....	2....	WASHER ¼ ITLW
22..	539 105245....	1....	GROMMET, RUBBER	NOT SHOWN			
23..	576 618201....	1....	GROMMET, CHECK VALVE	539 103306 ...	2....	POSITIVE CABLE, LONG	
24..	539 110432....	1....	ELBOW	539 110068 ...	1....	BATTERY CABLE NEGATIVE	
25..	539 110056....	1....	LENS, LT	515 980501 ...	1....	HARNESS, WIRING	
26..	539 110455....	1....	RIM, LT	505 280001 ...	4....	TIE, WIRE	

IGNITION

966659201

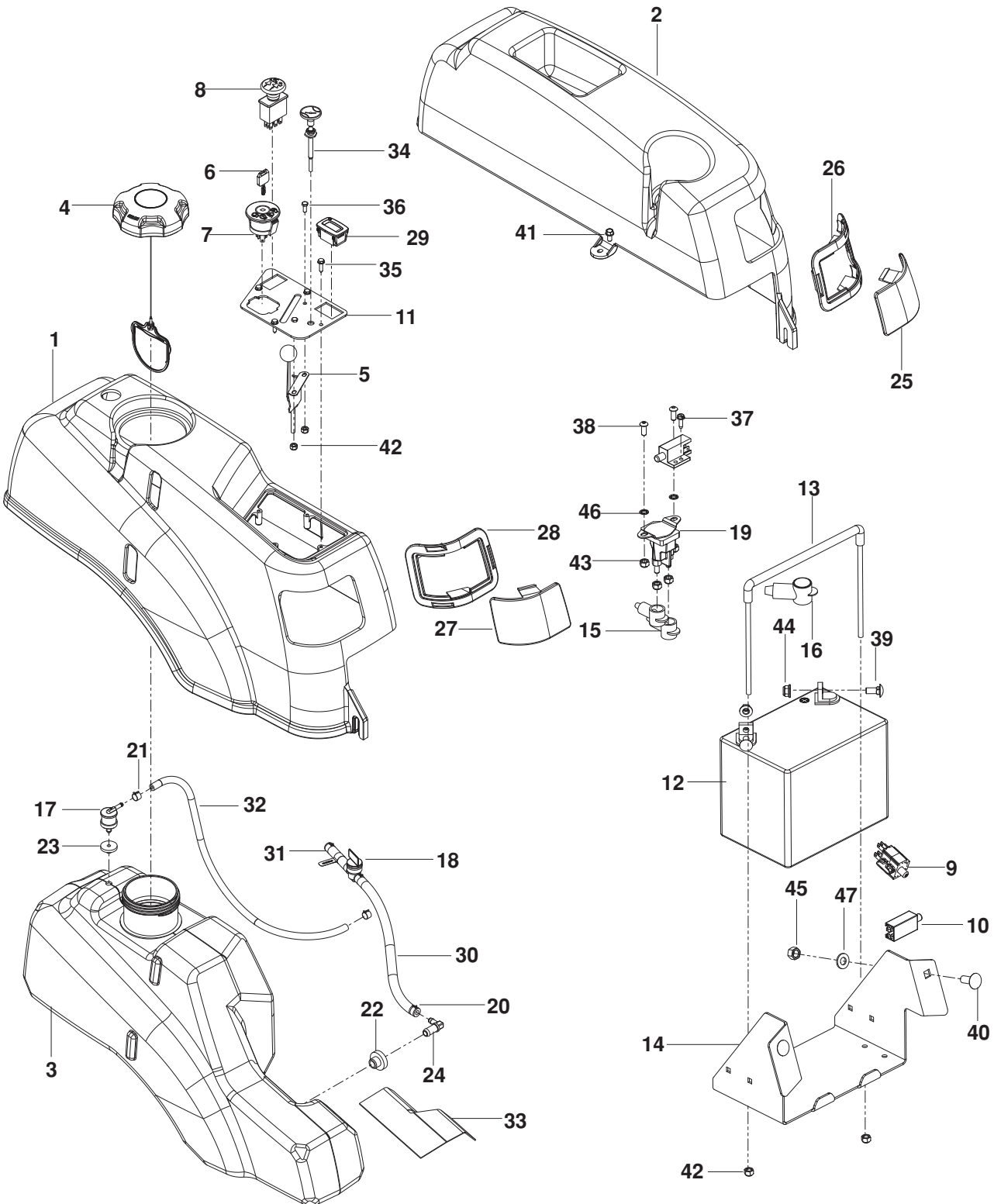


IGNITION

ITEM	PART NO.	QTY.	DESCRIPTION	ITEM	PART NO.	QTY.	DESCRIPTION
1..	576 370401....	1....	FENDER, RT	31..	505 215101....	1....	FUEL LINE 2½"
2..	539 130374....	1....	FENDER, LT	32..	576 660601....	1....	HOSE, VAPOR ¾ x 39"
3..	576 369401....	1....	TANK, FUEL	33..	576 660604....	1....	HOSE, VAPOR ¾ x 30"
4..	575 018101....	1....	CAP, FUEL w/ TETHER	34..	522 559101....	1....	SHIELD, HEAT
5..	522 730101....	1....	CABLE, THROTTLE	35..	532 414114....	1....	CANISTER, CARBON
6..	539 107544....	1....	KEY, IGNITION	36..	575 242701....	1....	BRACKET, CANISTER
7..	539 107541....	1....	SWITCH, IGNITION	37..	576 660701....	1....	FUEL LINE ASSY
8..	539 101768....	1....	SWITCH, CLUTCH	38..	539 990411....	2....	SCREW 10-24 x ½ HEX HD
9..	539 113792....	1....	SWITCH, BRAKE	39..	539 991034....	2....	SCREW 10-24 x ⅝ WSHR HD
10..	539 101080....	2....	SWITCH, NC	40..	539 111229....	2....	SCREW ¼-20 x ⅝ BTN SKT
11..	539 110305....	1....	PANEL, CONTROL	41..	539 110673....	2....	SCREW 10-24 x ¾ WSHR HD
12..	539 102436....	1....	BATTERY	42..	539 990645....	2....	RHSNB ¾-16 x 1
13..	539 131209....	1....	TIE DOWN, BATTERY	43..	539 990316....	2....	RHSNB ⅝-18 x ¾
14..	510 231302....	1....	BOX, BATTERY BLK	44..	539 108392....	2....	HCS ⅝-18 x ⅝
15..	539 116400....	3....	TERMINAL COVER	45..	539 108461....	2....	BOLT ¼-20 x ½ HWST
16..	539 102759....	1....	INSULATOR	46..	539 976978....	2....	NUT ¼-20 HEX NYLOC
17..	576 618101....	1....	VALVE, FUEL CHECK	47..	539 112899....	4....	NUT ⅝-18 HEX FLG NYLOC
18..	539 916325....	1....	VALVE, FUEL	48..	539 976979....	2....	NUT ¾-16 HEX NYLOC
19..	539 101714....	1....	SOLENOID	49..	539 976977....	2....	NUT 10-24 HEX NYLOC
20..	539 912222....	4....	CLAMP, HOSE	50..	539 990053....	2....	WASHER ¼ ITLW
21..	575 436501....	4....	CLAMP, HOSE	51..	539 990122....	4....	WASHER ¾ SAE FLT
22..	539 105245....	1....	GROMMET, RUBBER	NOT SHOWN			
23..	576 618201....	1....	GROMMET, CHECK VALVE	539 103306 ...	2....	POSITIVE CABLE, LONG	
24..	539 110432....	1....	ELBOW	539 110068 ...	1....	BATTERY CABLE NEGATIVE	
25..	539 110056....	1....	LENS, LT	515 980501 ...	1....	HARNESS, WIRING	
26..	539 110455....	1....	RIM, LT	505 280001 ...	4....	TIE, WIRE	
27..	539 110057....	1....	LENS, RT				
28..	539 110451....	1....	RIM, RT				
29..	576 179401....	1....	HOUR METER				
30..	539 932956....	1....	FUEL LINE 10"				

IGNITION

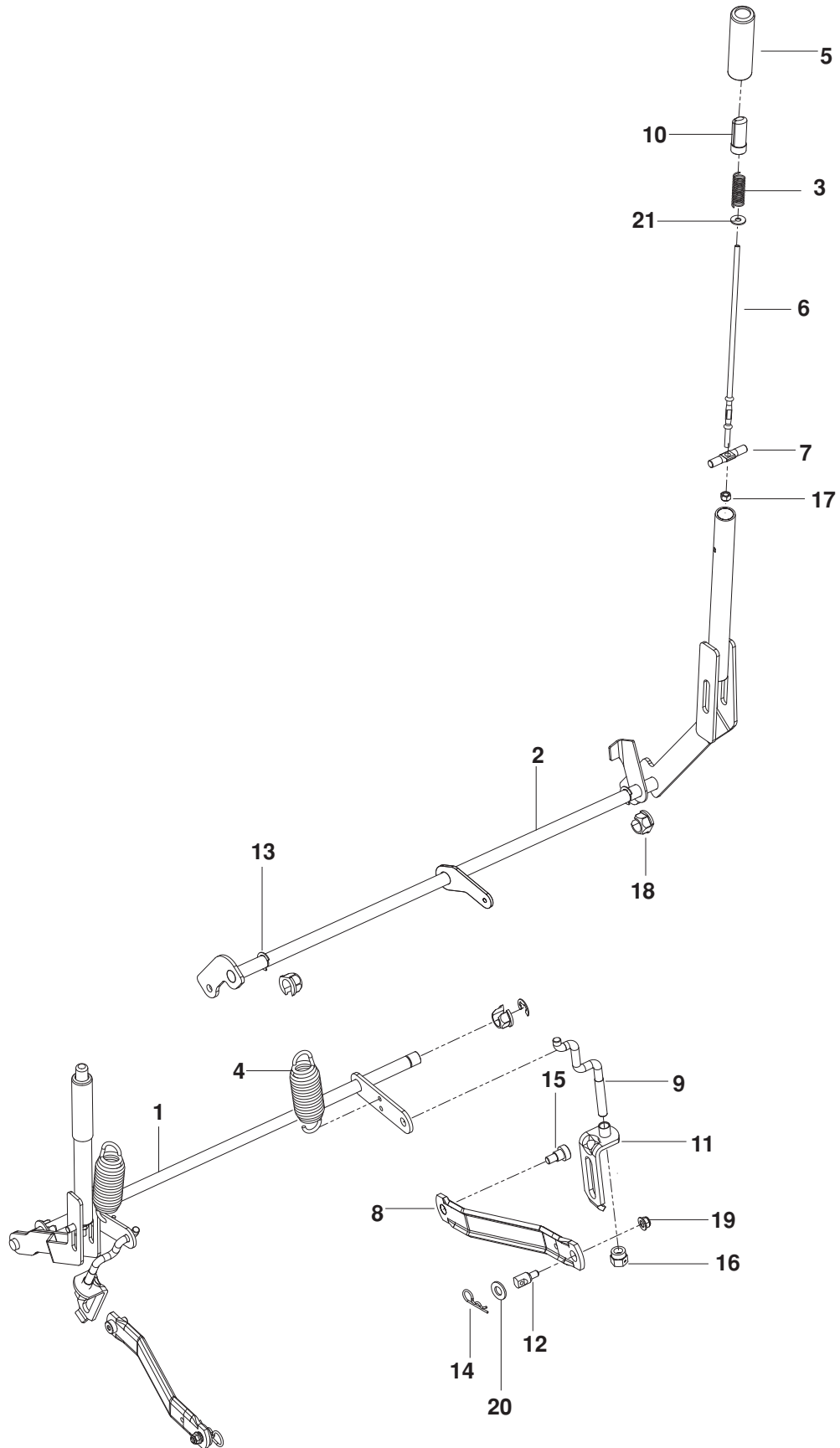
966678201, 966678301, 966659401
966659301, 966691901



IGNITION

ITEM	PART NO.	QTY.	DESCRIPTION	ITEM	PART NO.	QTY.	DESCRIPTION
1..	576 370401....	1....	FENDER, RT	28..	539 110451....	1....	RIM, RT
2..	539 130374....	1....	FENDER, LT	29..	576 179401....	1....	HOUR METER
3..	576 369401....	1....	TANK, FUEL	30..	539 932956....	1....	FUEL LINE 10"
4..	575 018101....	1....	CAP, FUEL w/ TETHER	31..	505 215101....	1....	FUEL LINE 2½"
5..	539 102732....	1....	CABLE, THROTTLE 966659301, 966691901	32..	574 521302....	1....	FUEL LINE 20" 966678201, 966659401
	539 112734 ...	1....	CABLE, THROTTLE 966659401, 966678201 966678301		576 660602 ...	1....	FUEL LINE 48" 966678301, 966691901
6..	539 107544....	1....	KEY, IGNITION		576 660605 ...	1....	FUEL LINE 15" 966659301
7..	539 107541....	1....	SWITCH, IGNITION	33..	522 559101....	1....	SHIELD, HEAT
8..	539 101768....	1....	SWITCH, CLUTCH	34..	539 112439....	1....	CONTROL, CHOKE
9..	539 113792....	1....	SWITCH, BRAKE	35..	539 110673....	2....	SCREW 10-24 x ¾ WSHR HD
10..	539 101080....	2....	SWITCH, NC	36..	539 990411....	2....	SCREW 10-24 x ½ HEX HD
11..	539 110305....	1....	PANEL, CONTROL	37..	539 991034....	2....	SCREW 10-24 x ⅝ WSHR HD
12..	539 102436....	1....	BATTERY	38..	539 111229....	2....	SCREW ¼-20 x ⅝ BTN SKT
13..	539 131209....	1....	TIE DOWN, BATTERY	39..	539 990316....	2....	RHSNB ⅝-18 x ¾
14..	510 231302....	1....	BOX, BATTERY BLK	40..	539 990645....	2....	RHSNB ⅜-16 x 1
15..	539 116400....	3....	TERMINAL COVER	41..	539 108461....	2....	BOLT ¼-20 x ½ HWST
16..	539 102759....	1....	INSULATOR	42..	539 976977....	2....	NUT 10-24 HEX NYLOC
17..	576 618101....	1....	VALVE, FUEL CHECK	43..	539 976978....	2....	NUT ¼-20 HEX NYLOC
18..	539 916325....	1....	VALVE, FUEL	44..	539 112899....	2....	NUT ⅝-18 HEX FLG NYLOC
19..	539 101714....	1....	SOLENOID	45..	539 976979....	2....	NUT ⅜-16 HEX NYLOC
20..	539 912222....	4....	CLAMP, HOSE	46..	539 990053....	2....	WASHER ¼ ITLW
21..	575 436501....	2....	CLAMP, HOSE	47..	539 990122....	4....	WASHER ⅜ SAE FLT
22..	539 105245....	1....	GROMMET, RUBBER		NOT SHOWN		
23..	576 618201....	1....	GROMMET, CHECK VALVE		539 103306 ...	2....	POSITIVE CABLE, LONG
24..	539 110432....	1....	ELBOW		539 110068 ...	1....	BATTERY CABLE NEGATIVE
25..	539 110056....	1....	LENS, LT		515 980501 ...	1....	HARNESS, WIRING
26..	539 110455....	1....	RIM, LT		505 280001 ...	4....	TIE, WIRE
27..	539 110057....	1....	LENS, RT				

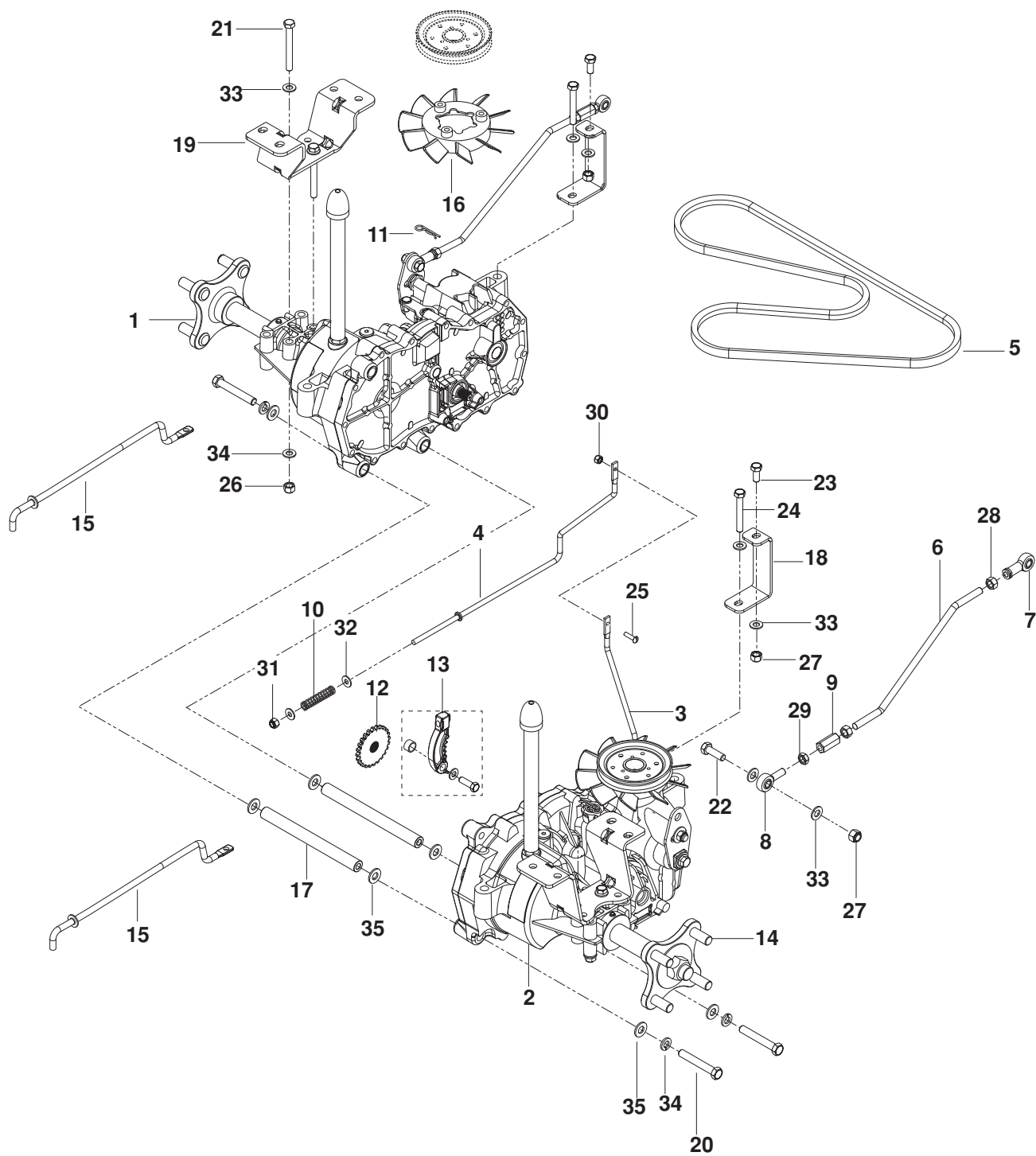
BRAKE / LIFT



BRAKE / LIFT

ITEM	PART NO.	QTY.	DESCRIPTION	ITEM	PART NO.	QTY.	DESCRIPTION
1..	574 216604....	2....	ARM, LIFTING	11..	522 858601....	2....	BRACKET, LIFT
2..	522 710804....	1....	SHAFT, BRAKE BLK	12..	532 195161....	2....	STUD w/ ANTI-ROTATE
3..	510 030701....	2....	SPRING, COMPRESSION	13..	539 105069....	3....	E-RING
4..	539 118762....	2....	SPRING	14..	539 976989....	2....	HAIRPIN
			<i>Quantity varies by deck size</i>	15..	539 113621....	2....	BOLT $\frac{3}{8}$ -16 x $\frac{3}{8}$ SKT HD
5..	510 207201....	2....	GRIP, HANDLE BLK	16..	532 175994....	2....	NUT, LIFT LINK
6..	510 422901....	2....	ROD, HANDLE RELEASE	17..	539 976978....	2....	NUT $\frac{1}{4}$ -20 HEX NYLOC
7..	516 008801....	2....	ROD, LATCH RELEASE	18..	510 184901....	4....	NUT, PLASTIC
8..	532 195185....	2....	ARM, SUSPENSION RR	19..	539 112899....	2....	NUT $\frac{5}{16}$ -18 HEX FLG NYLOC
9..	525 847201....	2....	LINK, REAR SUSPENSION	20..	539 976982....	2....	WASHER $\frac{5}{8}$ SAE FLT
10..	510 207301....	2....	BUTTON, PUSH BLK	21..	539 990598....	4....	WASHER $\frac{1}{4}$ FLT

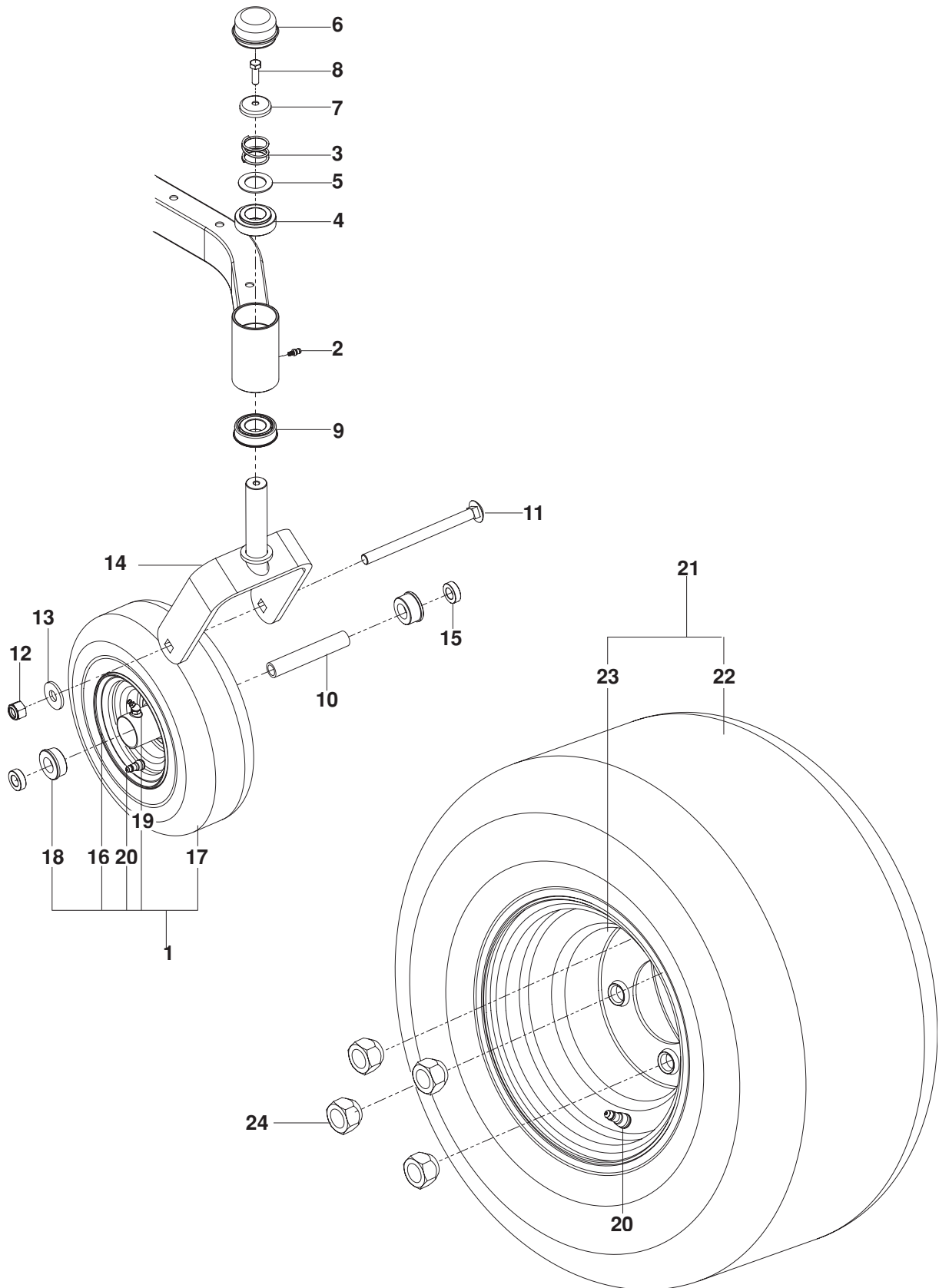
HYDRAULIC PUMP- MOTOR



HYDRAULIC PUMP- MOTOR

ITEM	PART NO.	QTY.	DESCRIPTION	ITEM	PART NO.	QTY.	DESCRIPTION
1..	510 375601....	1....	EZT, LT	19..	510 185102....	2....	MOUNT, EZT RR BLK
2..	510 375602....	1....	EZT, RT	20..	539 990637....	4....	HCS $\frac{3}{8}$ -16 x 2 $\frac{1}{2}$
3..	574 030501....	1....	ROD, EZT BRAKE LT	21..	539 101721....	4....	HCS $\frac{5}{16}$ -18 x 2 $\frac{3}{4}$
4..	574 030502....	1....	ROD, EZT BRAKE RT	22..	539 990209....	2....	HCS $\frac{5}{16}$ -18 x 1
5..	539 110411....	1....	BELT, EZT	23..	539 976934....	2....	HCS $\frac{5}{16}$ -18 x $\frac{3}{4}$
6..	522 945001....	2....	ROD, MOTION CONTROL	24..	539 976938....	2....	HCS $\frac{5}{16}$ -18 x 2 $\frac{1}{4}$
7..	539 115729....	2....	ROD END RT	25..	539 108535....	1....	SCREW 10-24 x $\frac{3}{4}$ SLTD RD
8..	539 116690....	2....	ROD END MALE LT	26..	539 990717..	10....	NUT $\frac{5}{16}$ -18 HEX NYLOC
9..	539 116689....	2....	COUPLER, ROD END	27..	539 115617....	2....	NUT $\frac{5}{16}$ -18 NYLOC INSERT
10..	539 110342....	2....	SPRING, BRAKE ROD	28..	539 990223....	4....	NUT $\frac{5}{16}$ -24 HEX
11..	539 976988....	2....	HAIRPIN, COTTER	29..	539 991073....	1....	NUT $\frac{5}{16}$ -24 HEX JAM LH
12..	539 120080....	2....	COG, BRAKE DISC	30..	539 976977....	1....	NUT 10-24 HEX NYLOC
13..	539 120079....	2....	BRAKE ARM KIT	31..	539 976978....	2....	NUT $\frac{1}{4}$ -20 HEX NYLOC
14..	575 507001....	2....	HUB KIT	32..	539 990055....	4....	WASHER $\frac{1}{4}$ SAE FLT
15..	522 941101....	2....	LINK ARM, BYPASS	33..	539 990188..	18....	WASHER $\frac{5}{16}$ SAE FLT
16..	539 120785....	2....	BLADE, FAN	34..	539 990118....	4....	WASHER $\frac{3}{8}$ SPLT LCK
17..	510 184101....	2....	SPACER TUBE	35..	539 990122....	8....	WASHER $\frac{3}{8}$ SAE FLT
18..	522 460702....	2....	SUPPORT, EZT FRT				

WHEELS AND TIRES

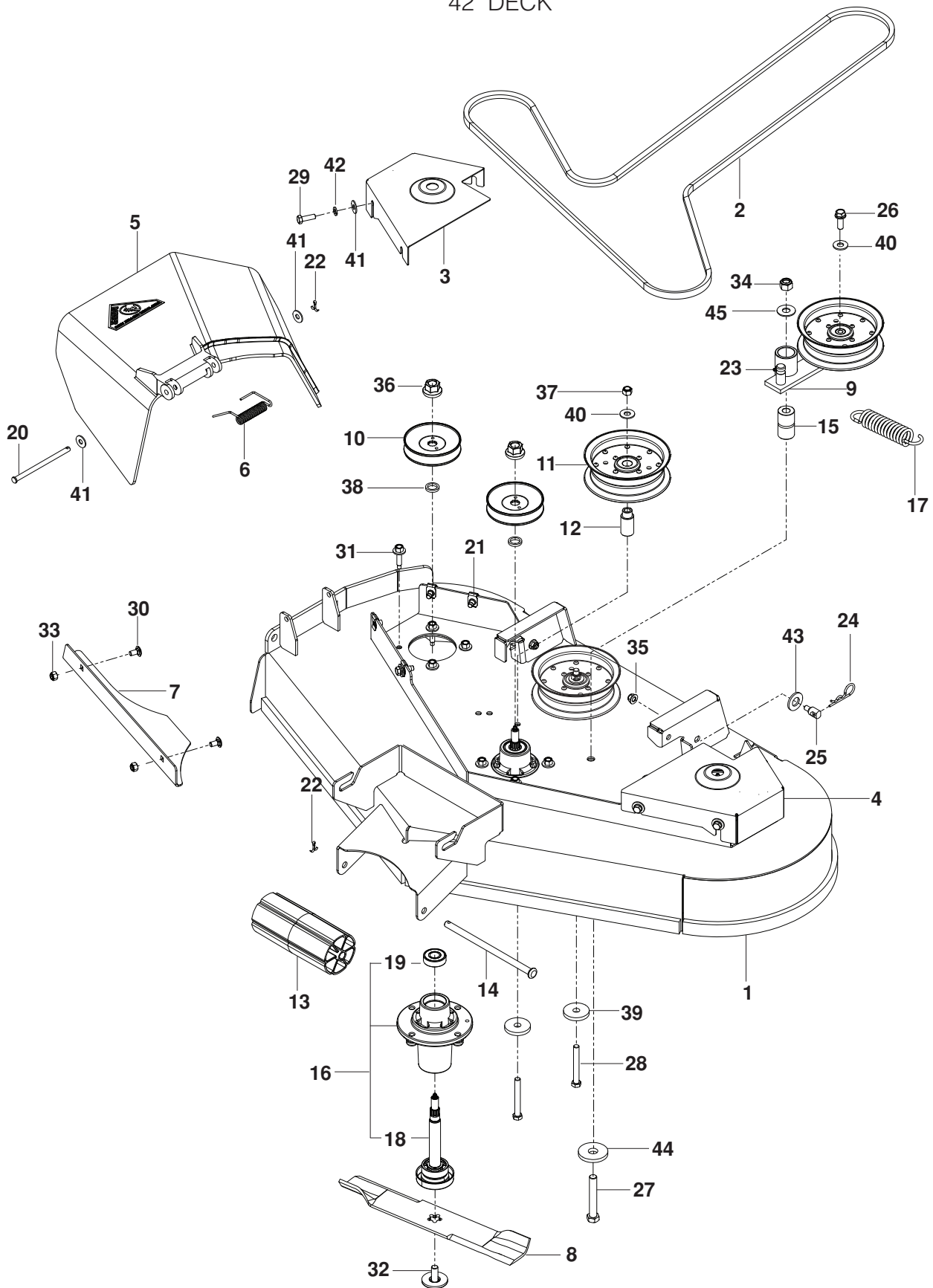


WHEELS AND TIRES

ITEM	PART NO.	QTY.	DESCRIPTION	ITEM	PART NO.	QTY.	DESCRIPTION
1..	516 001901....	2....	CASTER TIRE ASSY	19..	539 103300....	2....	ZERK
2..	539 115638....	2....	ZERK ³ / ₁₆ DRIVE	20..	539 912234....	4....	VALVE STEM
3..	539 115747....	2....	SPRING, CASTER	21..	539 130820....	2....	WHEEL ASSY, REAR 18 x 9.5 966659301, 966678301, 966691901
4..	539 117901....	2....	BUSHING, CASTER		539 110470 ...	2....	WHEEL ASSY, REAR 18 x 8.5 966659101, 966659201, 966659401, 966676501, 966678201
5..	539 115675....	2....	WASHER				
6..	539 102535....	2....	GREASE CAP	22..	539 130822....	2....	TIRE 18 x 9.5 TURF 966659301, 966678301, 966691901
7..	539 115749....	2....	PLUG, CASTER	23..	539 112217....	2....	RIM 8 x 7 w/ .8" OFFSET 966659301, 966678301, 966691901
8..	539 115566....	2....	BOLT, HEX ⁵ / ₁₆ -18 x 1 NYLOC		539 112214 ...	2....	RIM 966659101, 966659201, 966659401, 966676501, 966678201
9..	539 112660....	2....	BEARING, FLANGED	24..	539 101173....	8....	NUT ¹ / ₂ LUG
10..	539 105543....	2....	SPACER				
11..	539 121159....	2....	RHSNB ¹ / ₂ -13 x 6 ¹ / ₂				
12..	539 200100....	2....	NUT ¹ / ₂ -13 HEX CNTRLK				
13..	539 109554....	2....	WASHER ¹ / ₂ FLT				
14..	510 186502....	2....	YOKE ORG				
15..	539 114805....	4....	SPACER ⁵ / ₁₆				
16..	539 106994....	2....	RIM				
17..	539 114697....	2....	CASTER TIRE, 410-5 4 PLY				
18..	576 617801....	4....	BEARING, FLANGED				

MOWER DECK / CUTTING DECK

42" DECK

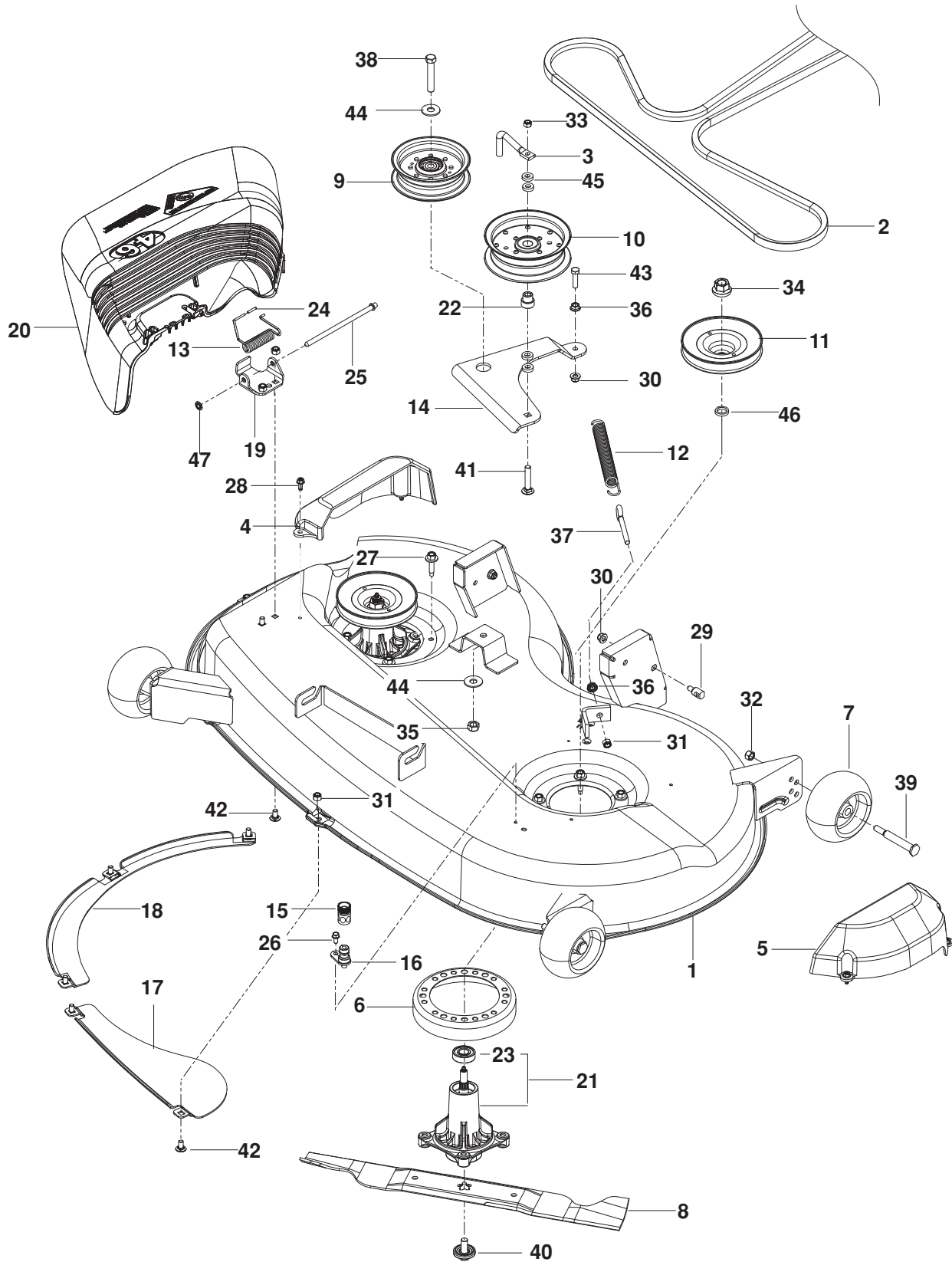


MOWER DECK / CUTTING DECK

ITEM	PART NO.	QTY.	DESCRIPTION	ITEM	PART NO.	QTY.	DESCRIPTION
1..	574 761802....	1....	DECK w/SAFETY DECALS	24..	539 976989....	2....	HAIRPIN #4
2..	539 117245....	1....	BELT, DECK	25..	532 195161....	2....	STUD w/ ANTI-ROTATE
3..	539 112238....	1....	BELT SHIELD, RH	26..	539 990582....	1....	HCS $\frac{3}{8}$ -16 x 1
4..	539 112240....	1....	BELT SHIELD, LH	27..	539 103433....	1....	HCS $\frac{1}{2}$ -13 x $\frac{3}{4}$
5..	539 110731....	1....	DISCHARGE CHUTE	28..	539 101341....	2....	HCS $\frac{3}{8}$ -16 x 3
6..	539 110735....	1....	SPRING, TORSION	29..	539 990209....	8....	HCS $\frac{5}{16}$ -18 x 1
7..	539 112413....	1....	CONFINEMENT PLATE	30..	539 990799....	2....	RHSNB $\frac{5}{16}$ -18 x $\frac{5}{8}$
8..	539 112078....	3....	BLADE, 14 $\frac{5}{8}$	31..	539 107630..	12....	SCREW $\frac{5}{16}$ -18 x WSHR HD
9..	539 112198....	1....	ARM, IDLER	32..	539 107522....	3....	BOLT WASHER ASSY
10..	525 348501....	3....	PULLEY, MANDREL	33..	539 990717....	2....	NUT $\frac{5}{16}$ -18 HEX NYLOC
11..	539 132728....	3....	PULLEY, IDLER	34..	539 101331....	1....	NUT $\frac{1}{2}$ -13 HEX NYLOC
12..	539 112169....	2....	BUSHING, IDLER	35..	539 112899....	2....	NUT $\frac{5}{16}$ -18 HEX FLG NYLOC
13..	532 176066....	1....	ROLLER, NOSE	36..	539 107590....	3....	NUT $\frac{9}{16}$ TOP CNTRLK
14..	532 179127....	1....	ROD, ROLLER, NOSE	37..	539 976979....	2....	NUT $\frac{3}{8}$ -16 HEX NYLOC
15..	539 103427....	1....	BUSHING, PIVOT	38..	539 107520....	3....	WASHER, SPACER
16..	539 112170....	3....	HOUSING	39..	539 106504....	2....	WASHER, HEAVY
17..	539 103256....	1....	SPRING	40..	539 990517....	3....	WASHER $\frac{3}{8}$ STD FLT
18..	539 112056....	1....	SHAFT, MANDREL	41..	539 990692..	10....	WASHER $\frac{5}{16}$ STD FLT
19..	539 112050....	1....	BEARING	42..	539 990187....	8....	WASHER $\frac{5}{16}$ SLW
20..	539 110736....	1....	PIN, CLEVIS $\frac{5}{16}$ x 5	43..	539 976982....	2....	WASHER $\frac{5}{8}$ SAE FLT
21..	539 104763....	8....	RETAINER, U TYPE	44..	539 102243....	1....	WASHER, SUPPORT
22..	539 990365....	2....	PIN, COTTER $\frac{1}{8}$ x $\frac{3}{4}$	45..	539 990550....	1....	WASHER $\frac{1}{2}$
23..	539 976998....	1....	ZERK				

MOWER DECK / CUTTING DECK

46" DECK



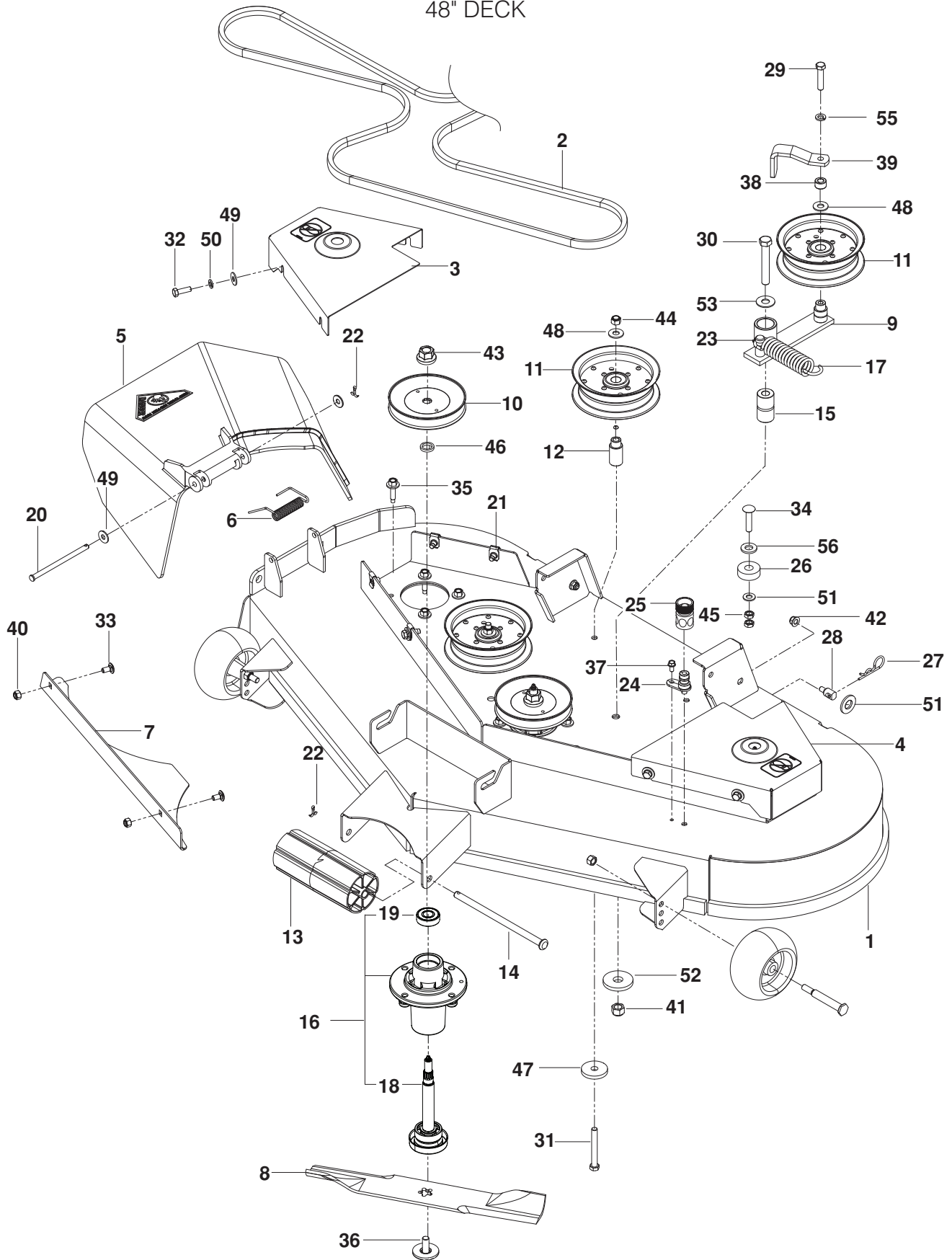
**Torque to
55-70 ft/lbs**

MOWER DECK / CUTTING DECK

ITEM	PART NO.	QTY.	DESCRIPTION	ITEM	PART NO.	QTY.	DESCRIPTION
1..	522 744301....	1....	DECK w/ SAFETY DECALS	25..	539 110462....	1....	ROD, HINGE
2..	539 117245....	1....	BELT, DECK	26..	539 991034....	1....	SCREW 10-24 x 5/8 WSHR HD
3..	522 629701....	1....	KEEPER, BELT	27..	539 107630....	8....	SCREW 5/16-18 x WSHR HD
4..	532 405506....	1....	SHIELD, BELT RH	28..	539 107631....	4....	SCREW 1/4-20 x 5/8 THDROLL
5..	532 405507....	1....	SHIELD, BELT LH	29..	532 195161....	2....	STUD w/ ANTI-ROTATE
6..	539 107518....	2....	STRIPPER, UNIVERSAL	30..	539 112899....	3....	NUT 5/16-18 HEX FLG NYLOC
7..	539 107610....	3....	WHEEL, GAUGE	31..	539 990717....	8....	NUT 5/16-18 HEX NYLOC
8..	532 405380....	2....	BLADE, HI-LIFT	32..	539 976979....	3....	NUT 3/8-16 HEX NYLOC
9..	532 196104....	1....	PULLEY, IDLER	33..	539 200282....	1....	NUT 3/8-16 HEX JAM NYLOC
10..	539 132728....	1....	PULLEY, IDLER	34..	539 107590....	2....	NUT 9/16 TOP CNTRLK
11..	539 113962....	2....	PULLEY, DECK	35..	539 119124....	1....	NUT 7/16-14 HEX NYLOC
12..	539 120920....	1....	SPRING, DECK BELT	36..	539 990585....	2....	NUT 5/16-18 HEX WHIZLK
13..	539 107609....	1....	SPRING, TORSION	37..	539 115574....	1....	EYE BOLT 5/16 x 3 1/2
14..	574 689002....	1....	ARM, IDLER	38..	539 104870....	1....	HCS 7/16-14 x 2 1/2
15..	532 416405....	1....	COUPLING, CONNECT	39..	539 107608....	3....	BOLT 1/2 x 2 5/8 SHOULDER
16..	532 415598....	1....	PORT, WASHOUT	40..	532 193003....	2....	BOLT, WASHER
17..	532 403149....	1....	BAFFLE, FRONT	41..	539 128101....	1....	BOLT 3/8-16 x 2 1/4 CARRIAGE
18..	532 403150....	1....	BAFFLE, FRONT RH	42..	539 990316....	7....	RHSNB 5/16-18 x 3/4
19..	532 192557....	1....	BRACKET, DEFLECTOR	43..	539 990627....	1....	HCS 5/16-18 x 1 1/4
20..	532 405357....	1....	SHIELD, DEFLECTOR	44..	539 104864....	2....	WASHER 7/16 FLT
21..	539 107515....	2....	CUTTER HOUSING	45..	539 109562....	4....	WASHER 3/8
22..	539 112076....	1....	BUSHING, IDLER	46..	539 107520....	2....	WASHER, SPACER
23..	539 110485....	1....	BEARING	47..	539 107626....	1....	PUSHNUT
24..	539 107627....	1....	CAP, SLEEVE				

MOWER DECK / CUTTING DECK

48" DECK

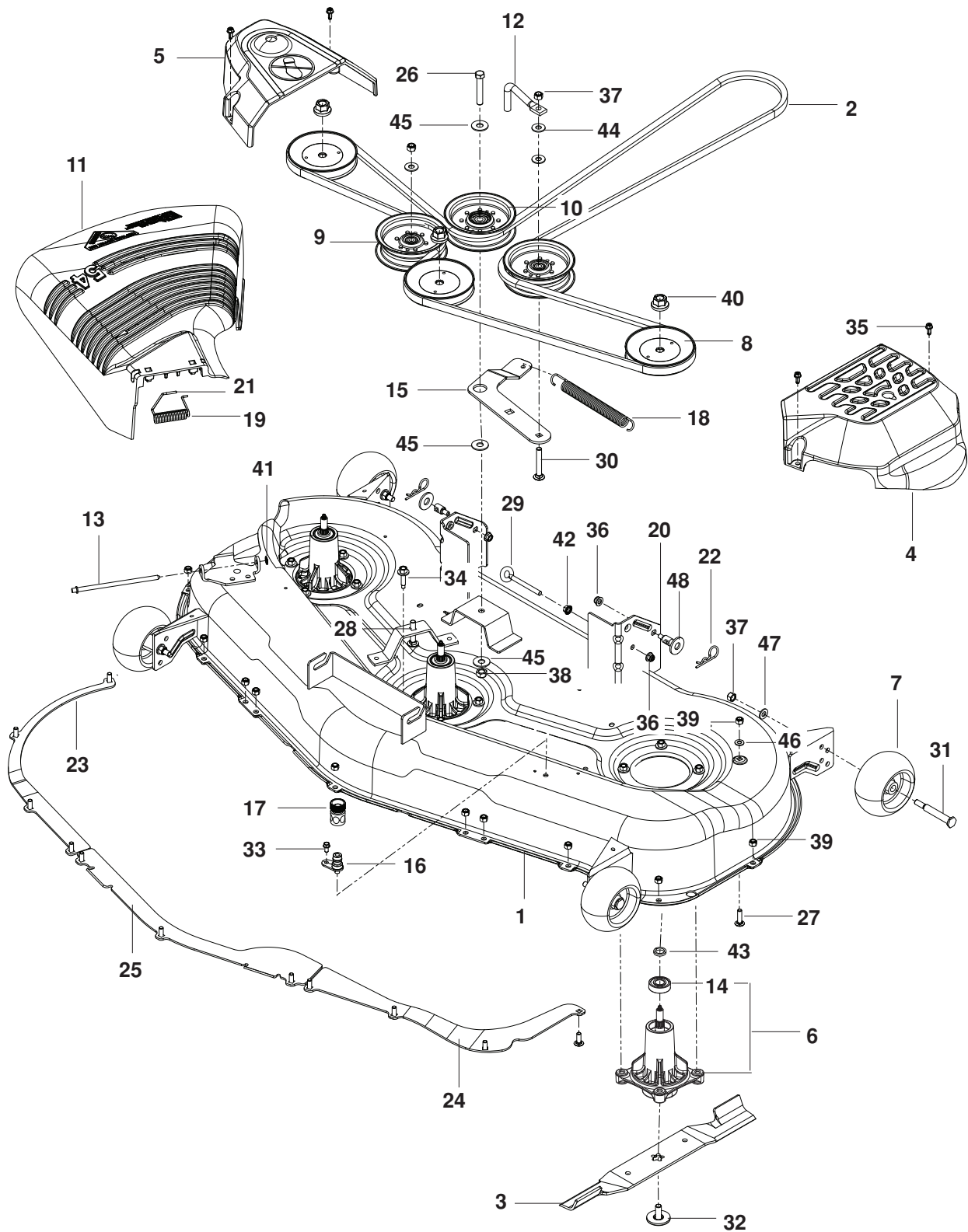


MOWER DECK / CUTTING DECK

ITEM	PART NO.	QTY.	DESCRIPTION	ITEM	PART NO.	QTY.	DESCRIPTION
1..	522 534805....	1....	DECK w/SAFETY DECALS	29..	539 990730....	1....	HCS $\frac{3}{8}$ -16 x $1\frac{3}{4}$
2..	539 109243....	1....	BELT, DECK	30..	539 103433....	1....	HCS $\frac{1}{2}$ -13 x $3\frac{1}{4}$
3..	539 113411....	1....	BELT SHIELD, RH	31..	539 101341....	2....	HCS $\frac{3}{8}$ -16 x 3
4..	539 113413....	1....	BELT SHIELD, LH	32..	539 990209....	8....	HCS $\frac{5}{16}$ -18 x 1
5..	539 110732....	1....	DISCHARGE CHUTE	33..	539 990799....	2....	RHSNB $\frac{5}{16}$ -18 x $\frac{5}{8}$
6..	539 110735....	1....	SPRING, TORSION	34..	539 990923....	1....	RHSNB $\frac{3}{8}$ -16 x $1\frac{3}{4}$
7..	539 113247....	1....	CONFINEMENT PLATE	35..	539 107630..	12....	SCREW $\frac{5}{16}$ -18 x WSHR HD
8..	539 113425....	3....	BLADE $16\frac{1}{4}$	36..	539 107522....	3....	BOLT WASHER ASSY
9..	539 112198....	1....	ARM, IDLER	37..	539 108461....	1....	BOLT $\frac{1}{4}$ -20 x $\frac{1}{2}$ HWST
10..	525 348501....	3....	PULLEY, MANDREL	38..	539 923515....	1....	SPACER
11..	539 132728....	3....	PULLEY, IDLER	39..	539 114981....	1....	GUIDE, BELT
12..	539 112169....	2....	BUSHING, IDLER	40..	539 990717....	2....	NUT $\frac{5}{16}$ -18 HEX NYLOC
13..	532 176066....	1....	ROLLER, NOSE	41..	539 101331....	1....	NUT $\frac{1}{2}$ -13 HEX NYLOC
14..	532 107613....	1....	ROD, ROLLER, NOSE	42..	539 112899....	2....	NUT $\frac{5}{16}$ -18 HEX FLG NYLOC
15..	539 103427....	1....	BUSHING, PIVOT	43..	539 107590....	3....	NUT $\frac{9}{16}$ TOP CNTRLK
16..	539 112170....	3....	HOUSING	44..	539 976979....	2....	NUT $\frac{3}{8}$ -16 HEX NYLOC
17..	539 103256....	1....	SPRING	45..	539 109332....	2....	NUT $\frac{3}{8}$ -16 HEX JAM
18..	539 112056....	1....	SHAFT, MANDREL	46..	539 107520....	3....	WASHER, SPACER
19..	539 112050....	1....	BEARING	47..	539 106504....	2....	WASHER, HEAVY
20..	539 110736....	1....	PIN, CLEVIS $\frac{5}{16}$ x 5	48..	539 990517....	3....	WASHER $\frac{3}{8}$ STD FLT
21..	539 104763....	8....	RETAINER, U TYPE	49..	539 990692..	10....	WASHER $\frac{5}{16}$ STD FLT
22..	539 990365....	2....	PIN, COTTER $\frac{1}{8}$ x $\frac{3}{4}$	50..	539 990187....	8....	WASHER $\frac{5}{16}$ SLW
23..	539 976998....	1....	ZERK	51..	539 976982....	2....	WASHER $\frac{5}{8}$ SAE FLT
24..	532 415598....	1....	PORT, WASHOUT	52..	539 102243....	1....	WASHER, SUPPORT
25..	532 416405....	1....	COUPLING, CONNECT	53..	539 990550....	1....	WASHER $\frac{1}{2}$
26..	539 116378....	1....	BUSHING, ISO MOUNT	54..	539 990122....	1....	WASHER $\frac{3}{8}$ SAE FLT
27..	539 976989....	2....	HAIRPIN #4	55..	539 990118....	1....	WASHER $\frac{3}{8}$ SPLT LCK
28..	532 195161....	2....	STUD w/ ANTI-ROTATE	56..	539 990250....	1....	WASHER

MOWER DECK / CUTTING DECK

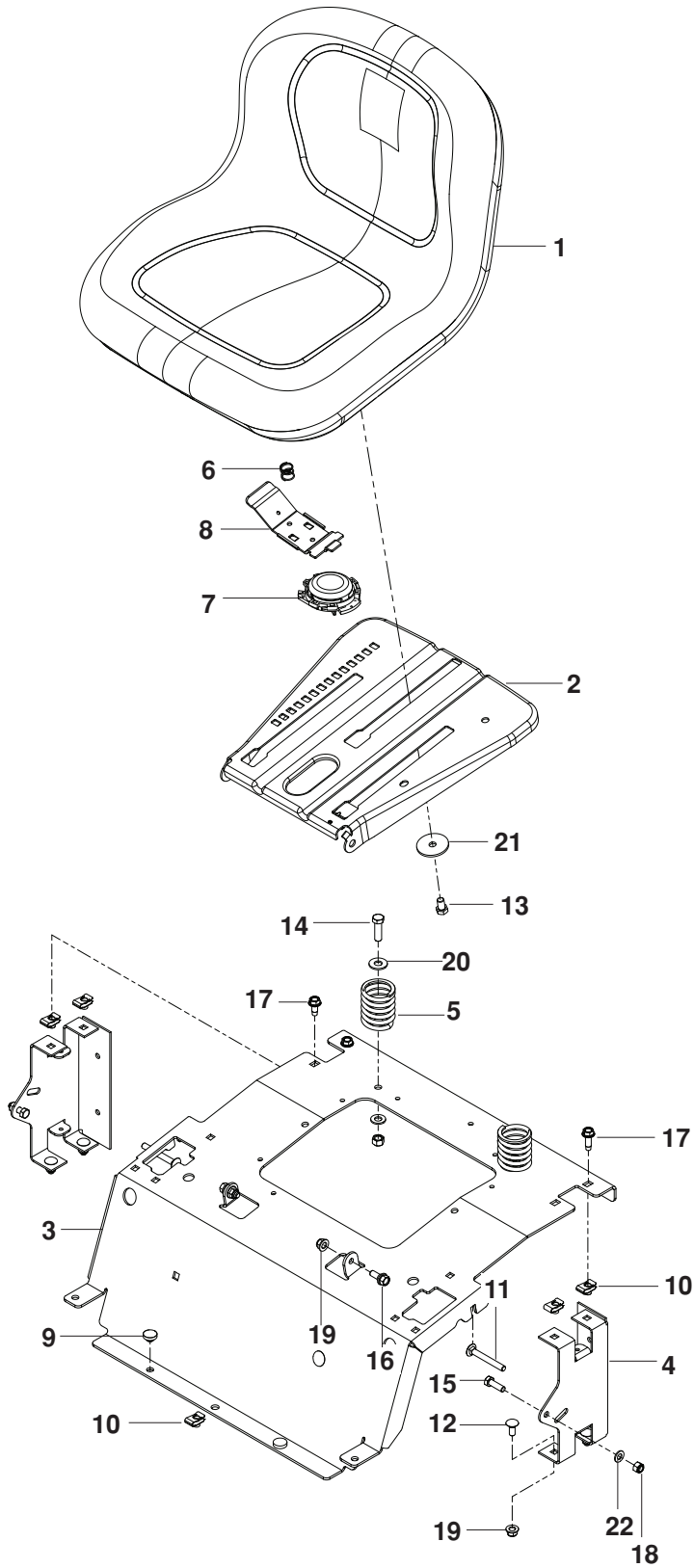
54" DECK



MOWER DECK / CUTTING DECK

ITEM	PART NO.	QTY.	DESCRIPTION	ITEM	PART NO.	QTY.	DESCRIPTION
1..	522 744401....	1....	DECK w/ SAFETY DECALS	25..	539 112062....	1....	BAFFLE, CNTR
2..	539 114557....	1....	V-BELT	26..	539 104870....	1....	HCS $\frac{7}{16}$ -14 x $2\frac{1}{2}$
3..	532 187256....	3....	BLADE, BAGGING	27..	539 990316..	12....	RHSNB $\frac{5}{16}$ -18 x $\frac{3}{4}$
4..	532 187297....	1....	BELT SHIELD, LT	28..	539 100145....	1....	RHSNB $\frac{3}{8}$ -16 x 2
5..	532 188187....	1....	BELT SHIELD, RT	29..	539 115574....	1....	EYE BOLT $\frac{5}{16}$ x $3\frac{1}{2}$
6..	539 112057....	3....	HOUSING, CUTTER	30..	539 128101....	1....	BOLT $\frac{3}{8}$ -16 x $2\frac{1}{4}$ CARRIAGE
7..	539 107610....	5....	WHEEL, GAUGE	31..	539 107608....	4....	BOLT $\frac{1}{2}$ x $2\frac{5}{8}$ SHOULDER
8..	539 112171....	3....	PULLEY	32..	539 107522....	3....	BOLT WASHER ASSY
9..	532 196106....	2....	PULLEY, IDLER	33..	539 108461....	1....	BOLT $\frac{1}{4}$ -20 x $\frac{1}{2}$ HWST
10..	532 196104....	1....	PULLEY, IDLER	34..	539 107630..	12....	SCREW $\frac{5}{16}$ -18 x WSHR HD
11..	539 112054....	1....	DEFLECTOR	35..	539 107631....	4....	SCREW $\frac{1}{4}$ -20 x $\frac{5}{8}$ THDROLL
12..	522 629701....	1....	KEEPER, BELT	36..	539 112899....	3....	NUT $\frac{5}{16}$ -18 HEX FLG NYLOC
13..	539 110462....	1....	ROD, HINGE	37..	539 976979....	6....	NUT $\frac{3}{8}$ -16 HEX NYLOC
14..	539 112050....	1....	BEARING	38..	539 119124....	1....	NUT $\frac{7}{16}$ -14 HEX NYLOC
15..	510 220002....	1....	ARM, IDLER	39..	539 990717..	12....	NUT $\frac{5}{16}$ -18 HEX NYLOC
16..	532 415598....	1....	PORT, WASHOUT	40..	539 107590....	3....	NUT $\frac{9}{16}$ TOP CNTRLK
17..	532 416405....	1....	COUPLING, CONNECT	41..	539 107626....	1....	PUSHNUT
18..	539 120920....	1....	SPRING, DECK BELT	42..	539 990585....	1....	NUT $\frac{5}{16}$ -18 HEX WHIZLK
19..	539 107609....	1....	SPRING, TORSION	43..	532 187690....	3....	WASHER/SPACER
20..	532 195161....	2....	STUD w/ ANTI-ROTATE	44..	539 990517....	3....	WASHER $\frac{3}{8}$ STD FLT
21..	539 107627....	1....	CAP, SLEEVE	45..	539 104864....	3....	WASHER $\frac{7}{16}$ FLT
22..	539 976989....	2....	HAIRPIN #4	46..	539 990188....	1....	WASHER $\frac{5}{16}$ SAE FLT
23..	539 112059....	1....	BAFFLE, RT	47..	539 990122....	4....	WASHER $\frac{3}{8}$ SAE FLT
24..	539 112060....	1....	BAFFLE, LT	48..	539 109554....	2....	WASHER $\frac{1}{2}$ FLT

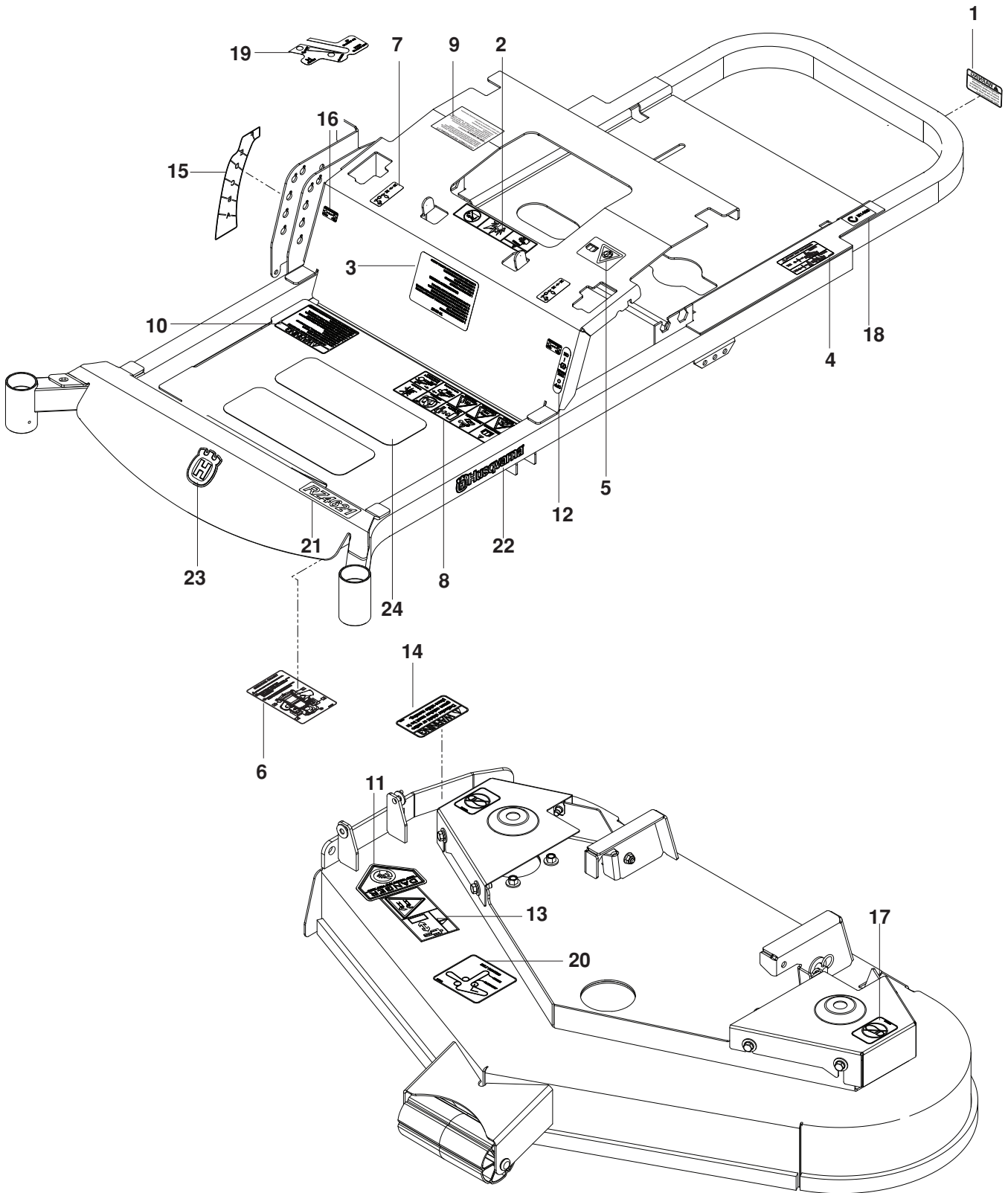
SEAT



SEAT

ITEM	PART NO.	QTY.	DESCRIPTION	ITEM	PART NO.	QTY.	DESCRIPTION
1..	532 424068....	1....	SEAT	12..	539 990316....	4....	RHSNB $\frac{5}{16}$ -18 x $\frac{3}{4}$
2..	532 196977....	1....	SEAT PAN	13..	539 108503....	1....	HCS $\frac{3}{8}$ -16 x $\frac{5}{8}$
3..	510 171903....	1....	SUPPORT, SEAT ORG	14..	539 976941....	2....	HCS $\frac{3}{8}$ -16 x $1\frac{1}{4}$
4..	574 522702....	2....	SUPPORT, SEAT RR BLK	15..	539 990209....	2....	HCS $\frac{5}{16}$ -18 x 1
5..	539 110300....	2....	SPRING, SEAT	16..	539 110303....	2....	BOLT $\frac{5}{16}$ SHOULDER
6..	532 198200....	1....	SPRING, LATCH SEAT	17..	539 107475....	4....	BOLT $\frac{5}{16}$ -18 x $\frac{3}{4}$ THD FRM
7..	539 132140....	1....	SWITCH, SEAT	18..	539 990717....	2....	NUT $\frac{5}{16}$ -18 HEX NYLOC
8..	532 197661....	1....	HANDLE, SLIDE, SEAT	19..	539 112899....	6....	NUT $\frac{5}{16}$ -18 HEX FLG NYLOC
9..	539 102587....	2....	GROMMET, BUMPER	20..	539 990517....	2....	WASHER $\frac{3}{8}$ STD FLT
10..	539 104763....	5....	RETAINER, U TYPE	21..	539 111897....	1....	WASHER $\frac{3}{8}$ SPECIAL
11..	510 422701....	2....	RHSNB $\frac{5}{16}$ -18 x $2\frac{1}{2}$	22..	539 990188....	2....	WASHER $\frac{5}{16}$ SAE FLT

DECALS



DECALS

ITEM	PART NO.	QTY.	DESCRIPTION	ITEM	PART NO.	QTY.	DESCRIPTION
1..	539 101881....	2....	DECAL, EXHAUST	19..	576 916701....	1....	DECAL, CONTROLS 966659101, 966659201 966676501
2..	539 105745....	1....	DECAL, BATTERY WARNING				
3..	539 108179....	1....	DECAL, START	576 916702 ...	1....	DECAL, CONTROLS 966659301, 966659401 966678201, 966678301 966691901	
4..	539 108385....	1....	DECAL, DO NOT TOW				
5..	539 108386....	1....	DECAL, EXIT				
6..	539 109897....	1....	DECAL, SERVICE				
7..	539 103333....	2....	DECAL, MOTION CONTROL	20..	510 240201....	1....	DECAL, BELT ROUTING 46" DECK
8..	539 109908....	1....	DECAL, SAFETY WARNING				
9..	539 110522....	1....	DECAL, RESPONSIBILITIES	539 112620 ...	1....	DECAL, BELT ROUTING 42", 48", 54" DECKS	
10..	539 113213....	1....	DECAL, SAFETY				
11..	539 913010....	1....	DECAL, BLADES	21..	521 949320....	1....	DECAL, RZ4621
12..	539 120006....	1....	DECAL, PARK BRAKE		521 949324 ...	1....	DECAL, RZ4623
13..	539 105746....	1....	DECAL, SEVERING		521 949323 ...	1....	DECAL, RZ4824F
14..	539 113224....	1....	DECAL, DISCHARGE		521 949321 ...	1....	DECAL, RZ4222F
15..	521 980501....	1....	DECAL, HEIGHT		521 949313 ...	1....	DECAL, RZ5425
16..	539 110974....	1....	DECAL, TRACKING	22..	532 429196....	2....	DECAL, HUSQVARNA
17..	539 105743....	2....	DECAL, NO STEP 42" AND 48" DECK	23..	532 428676....	1....	DECAL, CROWN
18..	539 110279....	1....	DECAL, ECM 966676501	24..	539 977778....	2....	ABRASIVE PAD

